



Technical Data Sheet M-HD 102

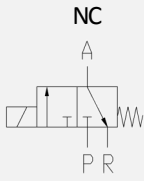
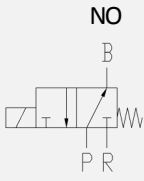



GVT. 

3/2-way solenoid valve - valve normally closed (NC)
- valve normally open (NO)

Solenoid valve for high pressure liquids or gases

- For high pressure applications up to 300 bar
- No pressure difference necessary
- High life time
- Reliable and sturdy sealing elements
- Long-term availability of spare parts
- High-quality materials

TECHNICAL SPECIFICATIONS

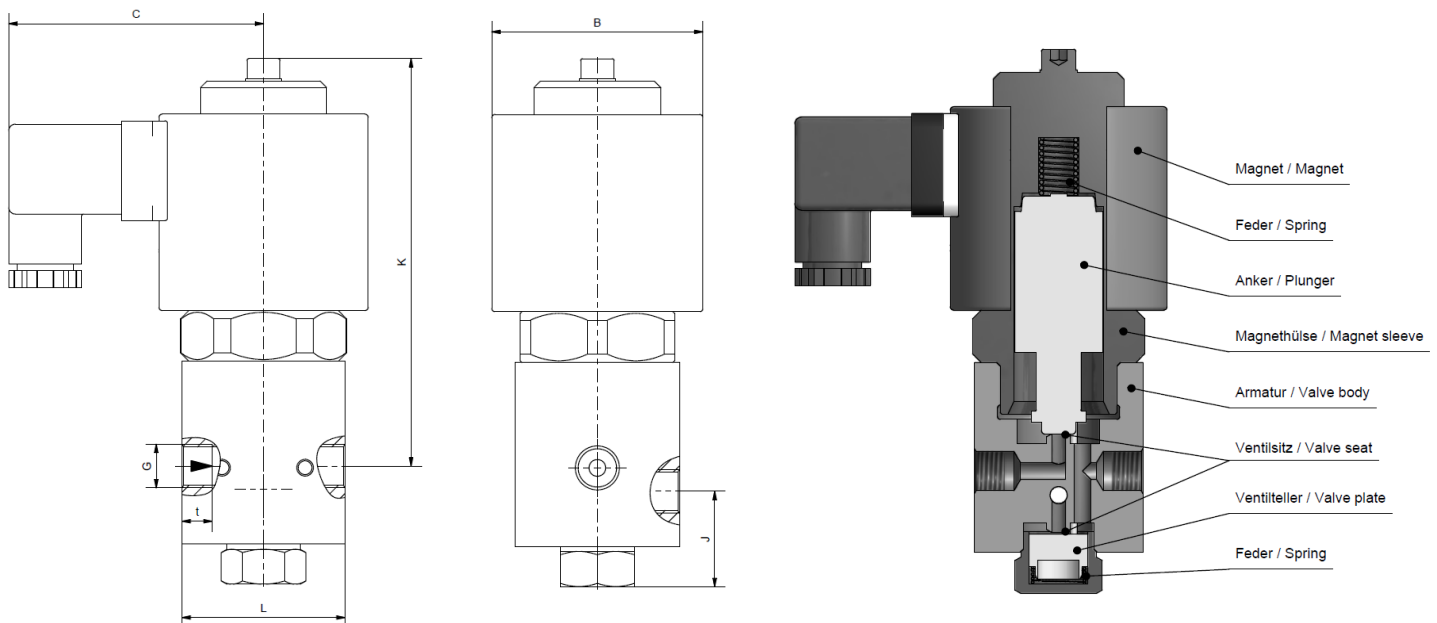
Type of control:	Direct operated, no pressure difference necessary	Supply voltage:	AC 50/60Hz 24V, 110V, 230V DC 0Hz 12V, 24V
Design:	Piston design	Voltage tolerance:	-10% / +10%
Connection:	Threaded G 1/4 DIN ISO 228 (BSP) <i>Further connections on request</i>	Consumption:	A05 = 24 Watt E05 = 23 Watt A06 = 30 Watt A07 = 46 Watt E07 = 30 Watt
Installation:	Actuator preferable upright	Protection class:	IP 65 acc. to DIN 60529
Pressure:	1 - 300 bar	Duty factor:	100% ED - VDE 0580
Medium:	clean, neutral, liquid or gaseous	Connection type:	Plug / Terminal box
Viscosity:	22 mm ² /s	Funktion:	<div style="display: flex; justify-content: space-around;"> <div style="text-align: center;"> <p>NC</p>  </div> <div style="text-align: center;"> <p>NO</p>  </div> </div>
Temperature range:	Medium: -30 °C up to +80 °C Ambient: -30 °C up to +50 °C	Certificates:	  
Body material	Brass 2.0401 Stainless steel 1.4581 (AISI 316Ti)	Ex-proof:	acc. to directive 2014/34/EG (ATEX)
Metallic inner parts:	Brass and stainless steel		
Sealing:	PTFE		

ORDERING SYSTEM

M-HD	1	02	G	B	1.0	B	D	A07	NO
Type	Control type	Code	Connection type	Connection size	Nominal diameter mm	Body material	Sealing material	Actuator type	Option
	2 direct operat.		G BSP N NPT	B 1/4		A Brass B AISI304	D PTFE	A standard E ex.-proof	

Standard NC type	Seat ϕ mm	Kv-value m ³ /h	max. pressure			max. pressure ATEX	
			A05	A06	A07	E05	E07
M-HD 102 GB1.0	1.0	0.06	0-100	0-160	0-300	0-100	0-300
M-HD 102 GB1.5	1.5	0.09	0-75	0-130	0-280	0-75	0-210
M-HD 102 GB2.0	2.0	0.13	0-45	0-100	0-250	0-45	0-180
M-HD 102 GB2.5	2.5	0.16	0-28	0-75	0-200	0-28	0-160
M-HD 102 GB3.0	3.0	0.20	0-20	0-60	0-150	0-20	0-90
M-HD 102 GB4.0	4.0	0.35	0-16	0-20	0-85	0-16	0-60
M-HD 102 GB5.0	5.0	0.50	0-16	0-20	0-55	0-16	0-38

Dimensions



Coil	A05 / E05	A06	A07 / A07
Type	M-HD 202 GB	M-HD 202 GB	M-HD 202 GB
G	1/4	1/4	1/4
B	49	63	77
C	70	77	93
J	28.5	28.5	38
K	90	122	142
L	50x50	50x50	60x60
t	9	9	12
kg	1.5	2.1	4.7

- The GVT logo is a registered trademark.
- Note: All texts and images are the property of GVT and must not be replicated or modified, not even in part, without written approval.
- Original products may differ from the product images shown, due to different materials and the like.
- Subject to error and changes.