



2/2-way solenoid valve - valve normally closed (NC)  
- valve normally open (NO)

## Solenoid valve for neutral, gaseous and liquid media

- For low temperature applications –60°C
- No pressure difference necessary
- High life time
- Reliable and sturdy sealing elements
- Long-term availability of spare parts
- High-quality materials

## TECHNICAL SPECIFICATIONS

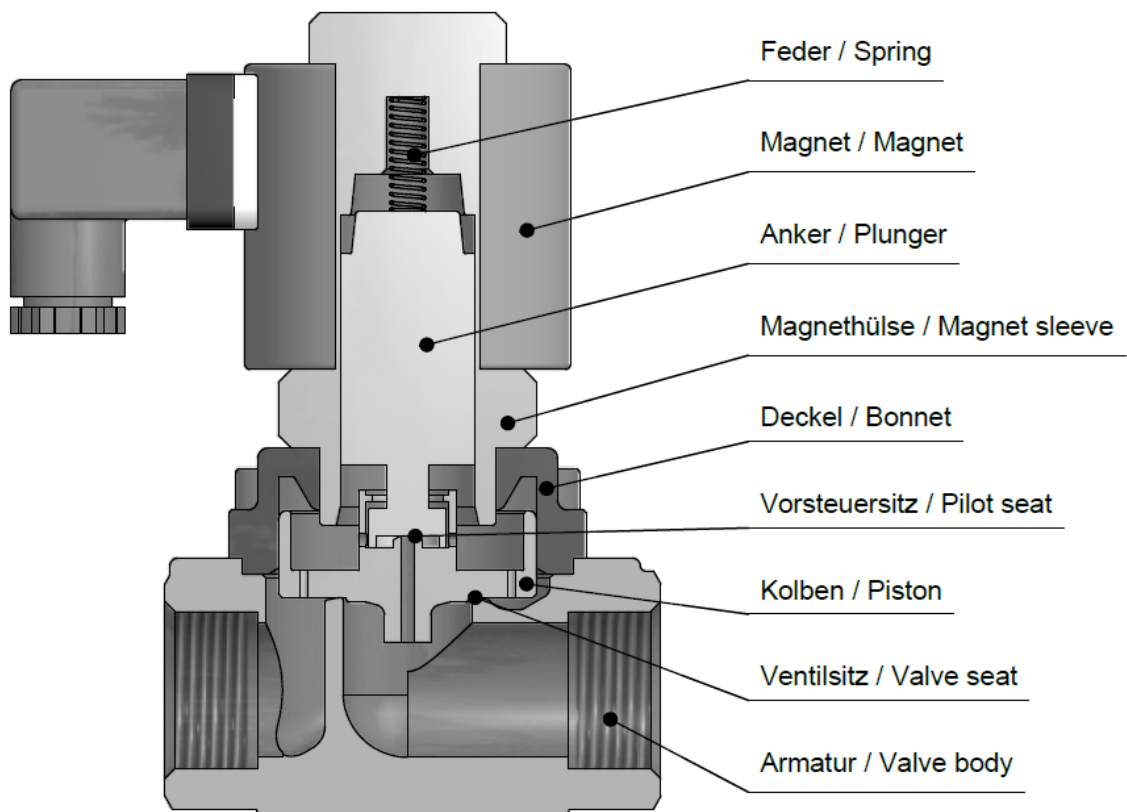
Type of control:	Force-pilot operated, no pressure difference necessary	Supply voltage:	AC 50/60Hz 24V, 110V, 230V DC 0Hz 12V, 24V
Design:	piston design	Voltage tolerance:	-10% / +10%
Connection:	Threaded G 1/4 - G 2 DIN ISO 228 (BSP) <i>Further connections on request</i>	Consumption:	A05 = 24 Watt      E05 = 24 Watt A06 = 30 Watt      E06 = 24 Watt A07 = 46 Watt      E07 = 30 Watt A08 = 100 Watt     E08 = 47 Watt
Installation:	Actuator upright	Protection class:	IP 65 acc. to DIN 60529
Pressure:	0 - 40 bar (see table page 2)	Duty factor:	100% ED - VDE 0580
Medium:	Clean, neutral, liquid or gaseous	Connection type:	Terminal box
Viscosity:	22 mm <sup>2</sup> /s	Funktion:	<div style="display: flex; justify-content: space-around;"> <div style="text-align: center;"> <p>NC</p> </div> <div style="text-align: center;"> <p>NO</p> </div> </div>
Temperature range:	Medium: -60 °C up to +80 °C Ambient: -55 °C up to +50 °C	Certificates:	
Body material	Brass 2.0402 Stainless steel 1.4581 (AISI 316Ti)	Ex-proof:	acc. to directive 2014/34/EG (ATEX)
Metallic inner parts:	Brass and stainless steel		
Sealing:	PTFE		

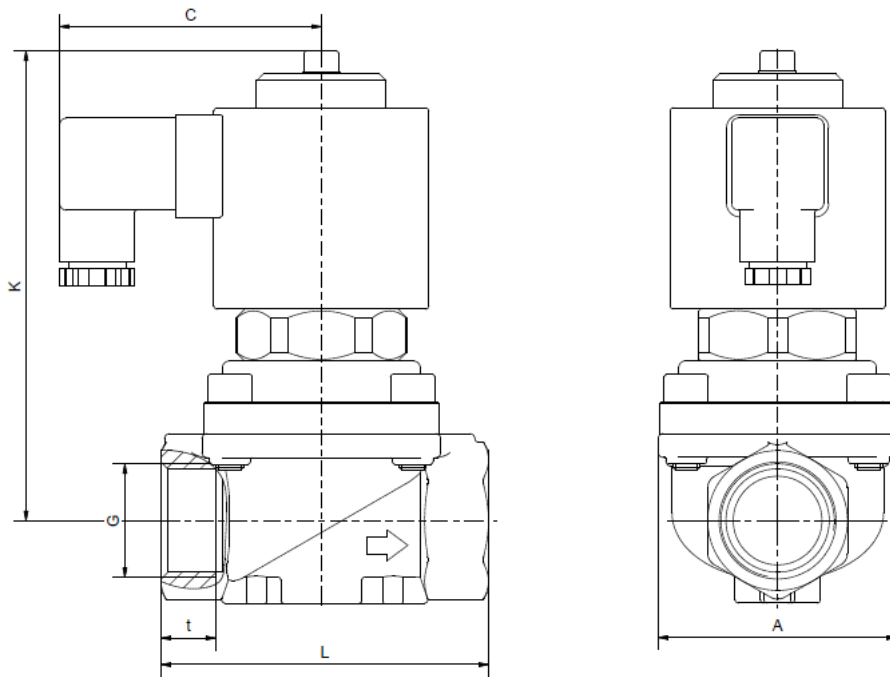
## ORDERING SYSTEM

M-LT	3	01	G	D	13.5	A	D	A05	NO
Type	Control type	Code	Connection type	Connection size	Nominal diameter mm	Body material	Sealing material	Actuator type	Option
	3 force-pilot oper.		G BSP N NPT	B 1/4 C 3/8 D 1/2 E 3/4 F 1 G 1 1/4 H 1 1/2 I 2		A Brass C AISI316	D PTFE	A standard E ex.-proof	

Standard NC type	Seat $\phi$ mm	Kv-value m <sup>3</sup> /h	max. pressure				max. pressure ATEX			
			A05	A06	A07	A08	E05	E06	E07	E08
M-LT 301 GB	13.5	1.8	0-40	-	-	-	0-40	-	-	-
M-LT 301 GC	13.5	4.0	0-40	-	-	-	0-40	-	-	-
M-LT 301 GD	13.5	4.5	0-40	-	-	-	0-40	-	-	-
M-LT 301 GE	27.5	11.5	0-16	0-40	-	-	0-16	0-25	0-40	-
M-LT 301 GF	27.5	13.0	0-16	0-40	-	-	0-16	0-25	0-40	-
M-LT 301 GG	40.0	29.0	-	0-30	0-40	-	-	0-16	0-25	0-40
M-LT 301 GH	40.0	33.0	-	0-30	0-40	-	-	0-16	0-25	0-40
M-LT 301 GI	50.0	49.0	-	0-6	0-16	0-40	-	0-2	0-10	0-16

## Valve design





Coil	A05 / E05					A06 / E06				
Type	M-LT 301					M-LT 301				
	GB	GC	GD	GE	GF	GE	GF	GG	GH	GI
G	1/4	3/8	1/2	3/4	1	3/4	1	1 1/4	1 1/2	2
A	45	45	45	70	70	70	70	96	96	112
C	70	70	70	70	70	77	77	77	77	77
K	104	104	104	122	122	138	138	148	148	183
L	67	67	67	96	96	96	96	140	140	168
t	12	12	12	16	16	16	16	22	22	22
kg	1.3	1.3	1.2	2.1	2.0	3.0	3.0	5.0	4.5	6.5

Coil	A07 / E07			A08 / E08		
Type	M-LT 301			M-LT 301		
	GG	GH	GI	GG	GH	GI
G	1 1/4	1 1/2	2	1 1/4	1 1/2	2
A	85	85	112	96	96	112
C	93	93	93	107	107	107
K	189	189	194	220	220	238
L	140	140	168	140	140	168
t	22	22	22	22	22	22
kg	6.5	6.5	7.5	10.0	10.0	12.5

- The GVT logo is a registered trademark.
- Note: All texts and images are the property of GVT and must not be replicated or modified, not even in part, without written approval.
- Original products may differ from the product images shown, due to different materials and the like.
- Subject to error and changes.