

Technical Data Sheet M-LT 305



2/2-Way solenoid valve – valve normally closed (NC).

When energized the solenoid first opens the pilot hole and then lifts directly or supported by a pressure difference the piston from the valve seat. The valve is closed by spring power.

Solenoid valve for cryogenic fluids

- Low temperature design -196 °C
- No pressure difference is required
- High life time
- Simple compact valve design
- Reliable and sturdy sealing elements
- Long-term availability of spare parts
- High-quality materials
- NO (non energized open) on request
- Welding ends on request

TECHNICAL SPECIFICATIONS

Type of control:	Force pilot operated, no pressure difference required
Design:	Piston design
Connection:	Threaded G1/4-G2 DIN ISO 228 (BSP), Welding ends similar to ISO 4200 (see table page 4) Other connections like NPT on request
Installation:	Actuator in upright position Lying position of actuator on request
Pressure:	0-16 bar (see table page 2)
Medium:	Clean, neutral, gaseous and liquid medium
Viscosity:	22 mm ² /s
Temperature range:	Medium: -196 °C up to +80 °C Ambient: -55 °C up to +50 °C In consideration of the restrictions described on page 4
Body material:	Brass 2.0402 Stainless steel 1.4581
Metallic inner parts:	Brass and stainless steel
Sealing:	PTFE

Supply voltage:	AC~ 24V, 110V, 230V DC= 12V, 24V, 110V Other supply voltages on request
Voltage tolerance:	-10% / +10%
Power consumption:	A05 = 24 Watt A06 = 30 Watt A07 = 46 Watt A08 = 100 Watt
Protection class:	IP65 according to DIN EN 60529
Duty factor:	100% ED-VDE 0580
Connection type:	Terminal box
Function:	

ORDERING SYSTEM

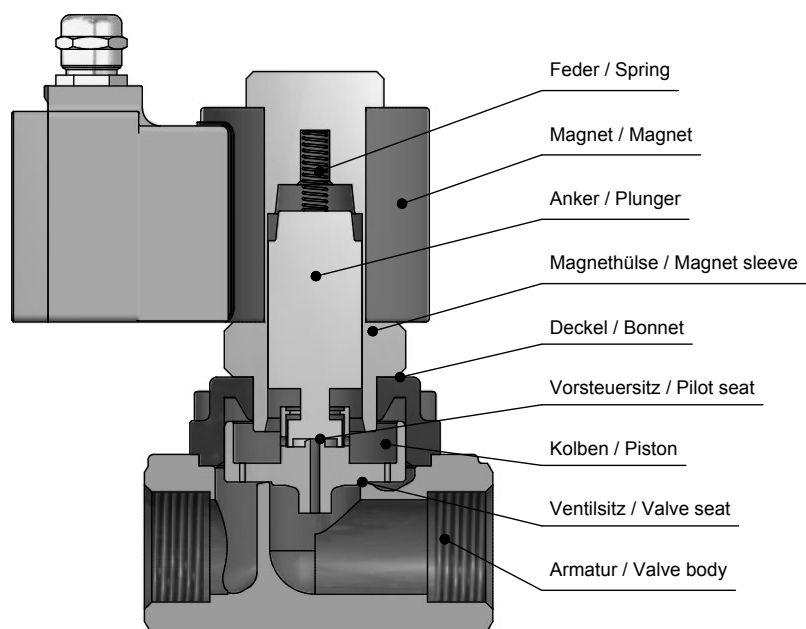
M-LT	3	05	-G	-D	-13.5	-C	-D	-A05	A	Standard IP65
Type	Control type	Code	Connection type	Connection size	Nominal diameter mm	Body material	Sealing material	Solenoid coil system		
	3 Force pilot operated		G BSP N NPT S Special	B 1/4" C 3/8" D 1/2" E 3/4" F 1" G 1 1/4" H 1 1/2" I 2"		A C	D PTFE Brass	Stainless steel AISI316(Ti) (1.4571, 1.4581)		



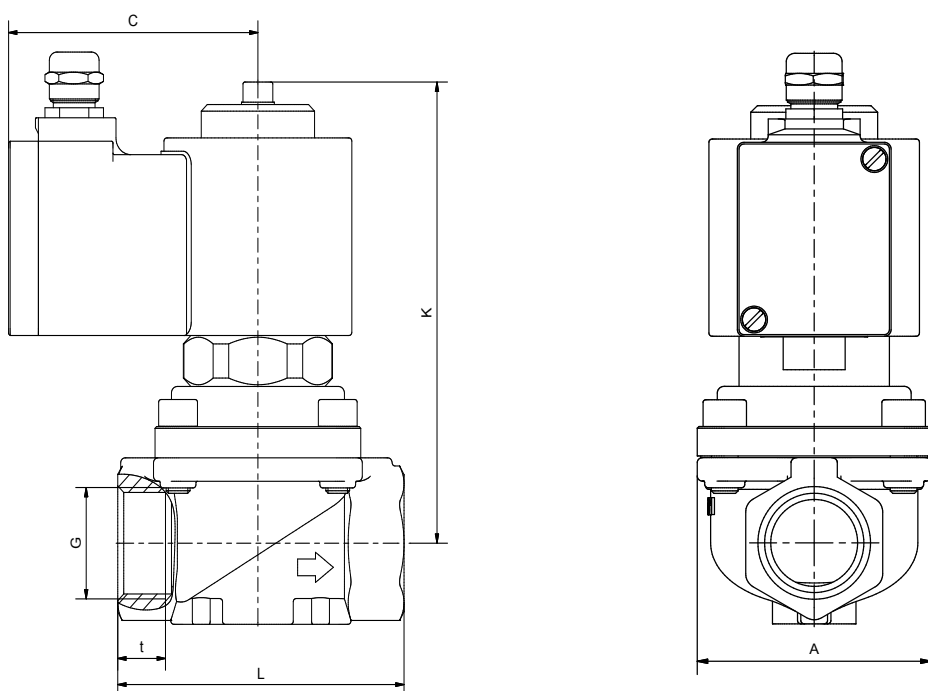
Technical Features

PN16				max. pressure			
Standard type	G	Seat ø mm	Kv-value m ³ /h	A05	A06	A07	A08
M-LT 305-?-B	1/4	13,5	1,8	0-16*	-	-	-
M-LT 305-?-C	3/8	13,5	4,0	0-16*	-	-	-
M-LT 305-?-D	1/2	13,5	4,5	0-16*	-	-	-
M-LT 305-?-E	3/4	27,5	11,5	-	0-16*	-	-
M-LT 305-?-F	1	27,5	13,0	-	0-16*	-	-
M-LT 305-?-G	1 1/4	40,0	29,0	-	0-10	0-16*	-
M-LT 305-?-H	1 1/2	40,0	33,0	-	0-10	0-16*	-
M-LT 305-?-I	2	50,0	49,0	-	0-6	0-16	0-16*

The flow rate mentioned in the table applies to the *marked coil.



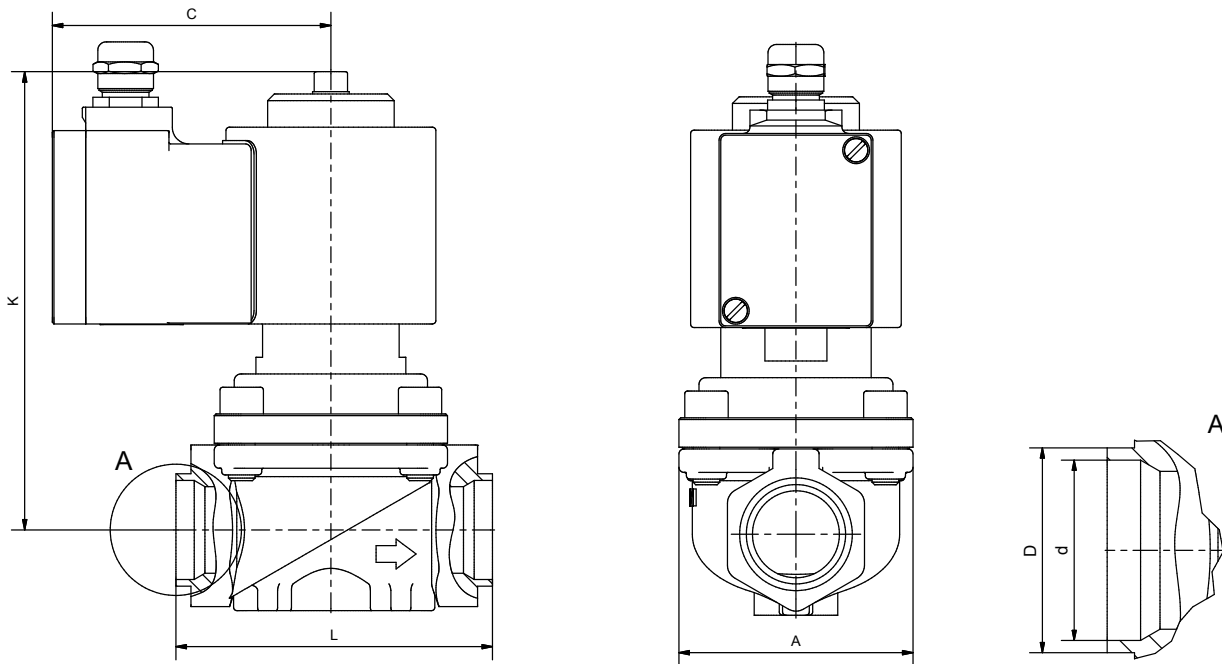
Dimensions



Coil	A05			A06				
Type	M-LT 305-?-B	M-LT 305-?-C	M-LT 305-?-D	M-LT 305-?-E	M-LT 3045-?-F	M-LT 305-?-G	M-LT 305-?-H	M-LT 305-?-I
G	1/4	3/8	1/2	3/4	1	1 1/4	1 1/2	2
A	48	48	48	70	70	96	96	112
C	70	70	70	77	77	77	77	77
K	104	104	104	138	138	148	148	183
L	67	67	67	96	96	140	140	168
t	12	12	12	16	16	22	22	22
kg	1,3	1,3	1,2	3,0	3,0	5,0	4,5	6,5

Coil	A07			A08
Type	M-LT 305-?-G	M-LT 305-?-H	M-LT 305-?-I	M-LT 305-?-I
G	1 1/4	1 1/2	2	2
A	96	96	112	112
C	93	93	93	107
K	189	188	194	240
L	140	140	168	168
t	22	22	22	22
kg	6,5	6,5	7,5	12,0

Dimensions



Coil	A05			A06			A07			A08
Type	M-LT 305-? -D	M-LT 305-? -E	M-LT 305-? -F	M-LT 305-? -G	M-LT 305-? -H	M-LT 305-? -I	M-LT 305-? -G	M-LT 305-? -H	M-LT 305-? -I	M-LT 305-? -I
G	1/2	3/4	1	1 1/4	1 1/2	2	1 1/4	1 1/2	2	2
A	48	70	70	96	96	112	96	96	112	112
C	70	77	77	77	77	77	93	93	93	107
K	104	138	138	148	148	183	189	188	194	240
L	67	96	96	140	140	168	140	140	168	168
D	21,3	26,9	33,7	42,4	48,3	60,3	42,4	48,3	60,3	60,3
d	18,1	23,7	29,7	38,4	44,3	55,1	38,4	44,3	55,1	55,1
kg	1,2	3,0	3,0	5,0	4,5	6,5	6,5	6,5	7,5	12,0

- It is imperative to observe the installation and safety instructions in our operating and service manuals.
- For information on our **GVT** ordering code, please refer to our catalogs. If you have any questions, we will be glad to assist you.
- Required ordering information: valve type, function NC/NO, pressure range, connection, nominal width, medium, flow rate, medium and ambient temperatures, connection voltage.
- **Detailed production-specific drawings and other technical information will be made available when an order is placed.**

PLEASE NOTE

Each individual application decides which valve type is required, the main factor being the resistance of the materials to the operating medium. The correct selection of materials requires knowledge of the concentration, temperature and degree of contamination of the medium. Other criteria include the operating pressure and max. volumetric flow, since, in addition to high temperatures, high pressures and high flow rates must also be taken into account when selecting the materials.

All materials used for our valves, be it housing, seals or magnets, will be carefully selected in view of the different application areas. Any information given is non-binding and serves for orientation only. No claims under warranty can be derived therefrom.

Heating and power of solenoid coils

The default solenoid valves are designed for continuous operation (100% ED = power-on time) under normal operating conditions.

The pulling force of a solenoid coil is basically influenced by three elements:

- The self-heating of the magnetic coil
- The medium temperature
- The ambient temperature

Solenoid coils are by default designed for a maximum ambient temperature of +40 °C. This specification applies for the maximum allowable operating pressure specified in the data sheet of the corresponding valve and a medium temperature of +80 °C.

A higher ambient temperature is possible, when lower values are applied for the other influencing parameters. When the max. operation pressure and max. ambient temperature of +50 °C is given the medium temperature is not allowed to be higher than max. +50 °C. In addition to that, deviations from the default design temperature range are possible, e.g. when coils or other constructive measures are used.

More precise specifications and technical data with regard to the operating conditions can be found in the data sheets of the solenoid coils and the solenoid valve regarded. Please observe that the surface temperature of a permanently loaded coil can amount up to +120 °C, solely by the self-heating of the coil. The power consumption of our default solenoid valves was calculated to DIN VDE 05820 for a coil temperature of +20 °C.

- The **GVT** logo is a registered trademark.
- Note: All texts and images are the property of **GVT** and must not be replicated or modified, not even in part, without written approval.
- Original products may differ from the product images shown, due to different materials and the like.
- Subject to error and changes.

State: 04/2016, MK-MG, Version 1.