



Technical Data Sheet M-PS 201

GVT.

2/2-way solenoid valve - valve normally closed (NC)
- valve normally open (NO)

Solenoid valve for clean, neutral, gaseous and liquid media

- For general purposes
- Pressure difference is required
- High life time
- Reliable and sturdy sealing elements
- Long-term availability of spare parts
- High-quality materials

TECHNICAL SPECIFICATIONS

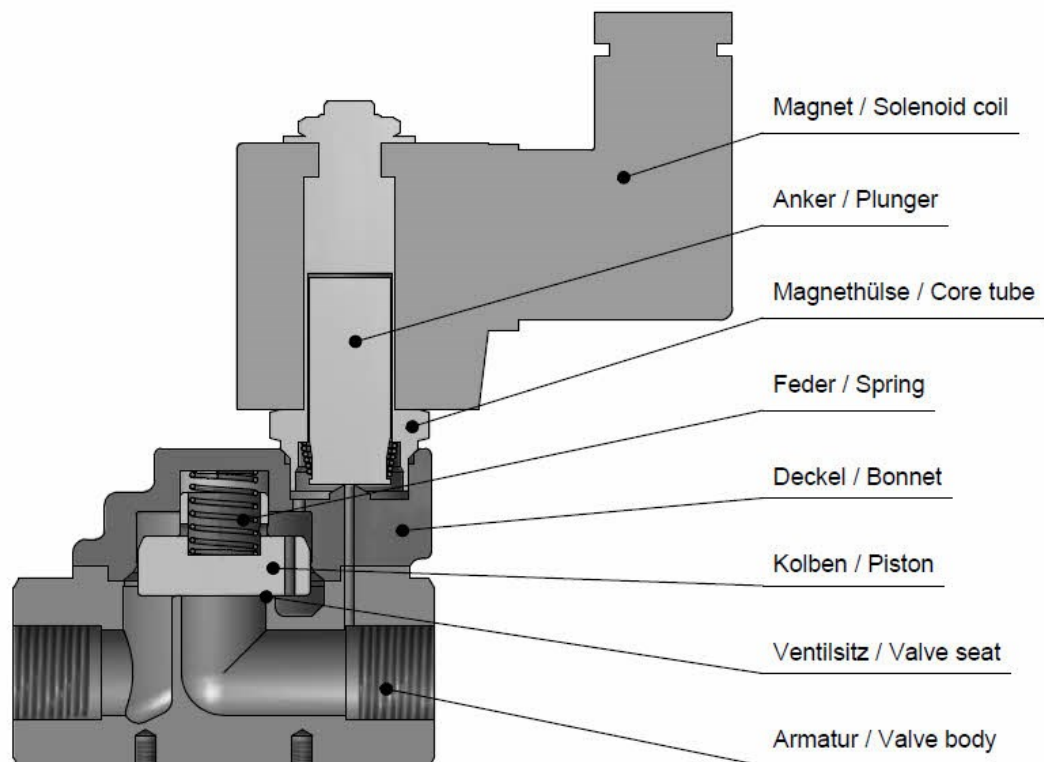
Type of control:	Pilot operated, pressure difference requ.	Supply voltage:	AC 50/60Hz 24V, 110V, 230V DC 0Hz 12V, 24V
Design:	Piston design	Voltage tolerance:	-10% / +10%
Connection:	Threaded G 1/4 - G 2 DIN ISO 228 (BSP) <i>Further connections on request</i>	Consumption:	A01 = 6.8 Watt E01 = 5.2 Watt A02 = 11 Watt E02 = 10 Watt A03 = 18 Watt
Installation:	Actuator preferable upright	Protection class:	IP 65 acc. to DIN 60529
Pressure:	0.5 - 40 bar	Duty factor:	100% ED - VDE 0580
Medium:	clean, neutral, liquid or gaseous	Connection type:	Plug / 3m cable
Viscosity:	22 mm ² /s	Funktion:	NC NO
Temperature range:	Medium: -20 °C up to +80 °C Ambient: -20 °C up to +50 °C	Certificates:	
Body material	Brass 2.0402 Stainless steel 1.4581 (AISI 316Ti)	Ex-proof:	acc. to directive 2014/34/EG (ATEX)
Metallic inner parts:	Brass and stainless steel		
Sealing:	NBR, FKM, EPDM, PTFE		

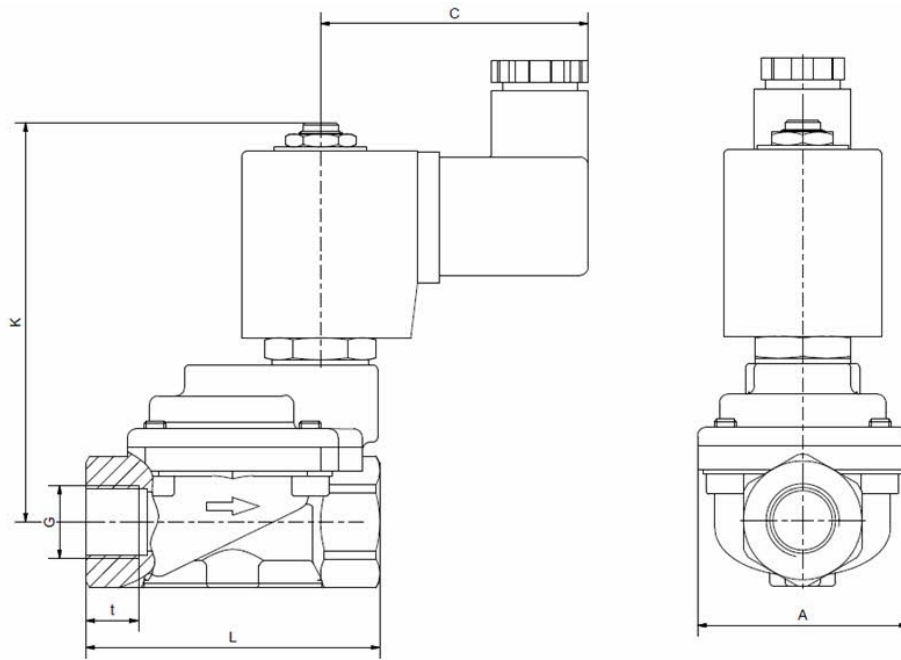
ORDERING SYSTEM

M-PS	2	01	G	D	13.5	A	A	A03	NO
Type	Control type	Code	Connection type	Connection size	Nominal diameter mm	Body material	Sealing material	Actuator type	Option
	2 pilot operat.		G BSP N NPT	B 1/4 C 3/8 D 1/2 E 3/4 F 1 G 1 1/4 H 1 1/2 I 2		A Brass C AISI316	A NBR B FKM C EPDM D PTFE	A standard E ex.-proof	

Standard NC type	Seat \varnothing mm	Kv-value m^3/h	max. pressure			max. pressure ATEX		
			A01	A02	A03-NO	E01	E02	E02-NO
M-PS 201 GB	13.5	1.8	0.5-40	0.5-40	0.5-40	0.5-12	0.5-40	0.5-25
M-PS 201 GC	13.5	4.0	0.5-40	0.5-40	0.5-40	0.5-12	0.5-40	0.5-25
M-PS 201 GD	13.5	4.5	0.5-40	0.5-40	0.5-40	0.5-12	0.5-40	0.5-25
M-PS 201 GE	27.5	11.5	0.5-40	0.5-40	0.5-40	0.5-12	0.5-40	0.5-20
M-PS 201 GF	27.5	13.0	0.5-40	0.5-40	0.5-40	0.5-12	0.5-40	0.5-20
M-PS 201 GG	40.0	29.0	-	0.5-40	0.5-16	-	0.5-40	0.5-13
M-PS 201 GH	40.0	33.0	-	0.5-40	0.5-16	-	0.5-40	0.5-13
M-PS 201 GI	50.0	49.0	-	0.5-40	0.5-16	-	0.5-40	0.5-13

Valve design





Coil	A01 / E01				
Type	M-PS 201 GB	M-PS 201 GC	M-PS 201 GD	M-PS 201 GE	M-PS 201 GF
G	1/4	3/8	1/2	3/4	1
A	48	48	48	70	70
C	51	51	51	51	51
K	75	75	75	91	91
L	67	67	67	96	96
t	12	12	12	16	16
kg	0.9	0.9	0.8	1.8	1.7

Coil	A02 / A03 / E02							
Type	M-PS 201 GB	M-PS 201 GC	M-PS 201 GD	M-PS 201 GE	M-PS 201 GF	M-PS 201 GG	M-PS 201 GH	M-PS 201 GI
G	1/4	3/8	1/2	3/4	1	1 1/4	1 1/2	2
A	48	48	48	70	70	96	96	112
C	61	61	61	61	61	61	61	61
K	90	90	90	106	106	128	128	140
L	67	67	67	96	96	140	140	168
t	12	12	12	16	16	22	22	22
kg	0.9	0.9	0.9	1.8	1.7	3.8	3.5	5.2

- The GVT logo is a registered trademark.
- Note: All texts and images are the property of GVT and must not be replicated or modified, not even in part, without written approval.
- Original products may differ from the product images shown, due to different materials and the like.
- Subject to error and changes.