



Technical Data Sheet P-PS 101



2/2-Way pressure controlled valve - valve normally closed (NC)

Pressure controlled valve for liquid or gaseous media

- For general purposes
- No pressure difference necessary
- High life time
- Simple compact valve design
- Reliable and sturdy sealing elements
- Long-term availability of spare parts
- High-quality materials

TECHNICAL SPECIFICATIONS

Type of control:	Direct acting, pressure controlled	Supply voltage:	-
Design:	Poppet design	Voltage tolerance:	-
Connection:	Threaded G 1/4 - G 1/2 DIN ISO 228 (BSP) <i>Further connections like NPT on request</i>	Consumption:	-
Installation:	Actuator preferable upright	Protection class:	-
Pressure:	0-16 bar (see table page 2)	Duty factor:	-
Medium:	Clean, neutral, gaseous and liquid	Connection type:	-
Viscosity:	600 mm ² /s	Funktion:	<div style="display: flex; justify-content: space-around;"> <div style="text-align: center;"> <p>NC</p> </div> <div style="text-align: center;"> <p>NO</p> </div> </div>
Temperature range:	Medium: -10 °C up to +80 °C Ambient: -10 °C up to +60 °C	Certificates:	
Body material	Brass 2.0401 Stainless steel 1.4571 / 1.4581 (AISI316Ti)	Ex-proof:	optional with mech. ATEX
Metallic inner parts:	Brass and Stainless steel		
Sealing:	NBR, FKM, EPDM		
Pilot pressure:	4-10 bar		
Pilot medium:	clean and neutral gases		

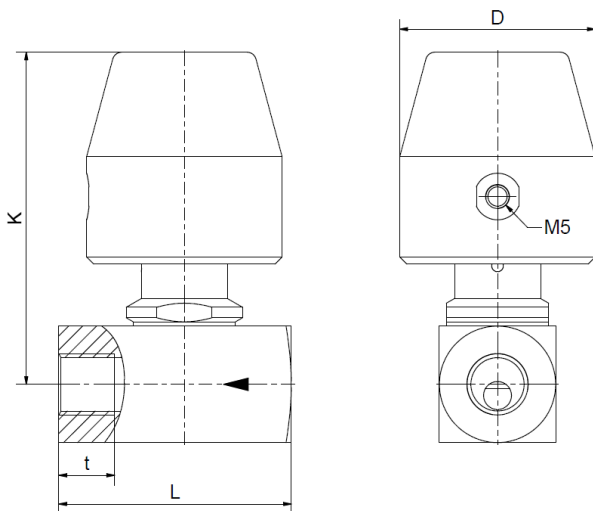
ORDERING SYSTEM

P-PS	1	01	G	B	6.0	A	A	P03
Type	Control type	Code	Connection type	Connection size	Nominal diameter mm	Body material	Sealing material	Actuator type
	1 direct acting		G BSP N NPT	B 1/4 C 3/8 D 1/2		A Brass C AISI316	A NBR B FKM C EPDM	03 30 mm

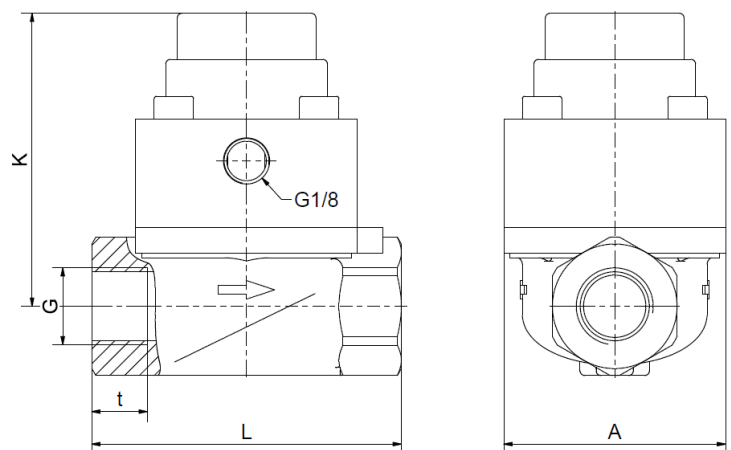
Standard NC type	Seat \varnothing mm	Kv-value m^3/h	Max. pressure with actuator		
			P03	P03 under seat	P03-NO
P-PS 101 GB6.0	6.0	0.75	0-16	0-16	0-16
P-PS 101 GB13.0A	13.0	1.8	0-10	0-10	0-10
P-PS 101 GB13.5C	13.5	1.8	0-10	0-10	0-10
P-PS 101 GC8.0	8.0	0.9	0-16	0-16	0-16
P-PS 101 GC13.0A	13.0	3.6	0-10	0-10	0-10
P-PS 101 GC13.5C	13.5	3.6	0-10	0-10	0-10
P-PS 101 GD10.0	10.0	1.7	0-16	0-16	0-12
P-PS 101 GD13.0A	13.0	3.9	0-10	0-10	0-10
P-PS 101 GD13.5C	13.4	3.9	0-10	0-10	0-10

Dimensions

Type P-PS 101 GB6.0, GC9.0, GD10.0



Type P-PS 101 GB to GC13.0



Actuator	P03								
	P-PS 101			P-PS 101 GB			P-PS 101		
Type	GB6.0	GC8.0	GD10.0	GB13.0	GC13.0	GD13.0	GB13.5	GC13.5	GD13.5
G	1/4	3/8	1/2	1/4	3/8	1/2	1/4	3/8	1/2
A	-	-	-	48	48	48	48	48	48
D	42	42	42	-	-	-	-	-	-
K	72	81	81	64	64	64	64	64	64
L	50	54	54	67	67	67	67	67	67
t	12	12.5	13	12	12	13	14	12.5	12.5
kg	0.6	0.7	0.6	0.8	0.8	0.7	0.7	0.7	0.6

- The **GVT** logo is a registered trademark.
- Note: All texts and images are the property of **GVT** and must not be replicated or modified, not even in part, without written approval.
- Original products may differ from the product images shown, due to different materials and the like.
- Subject to error and changes.