

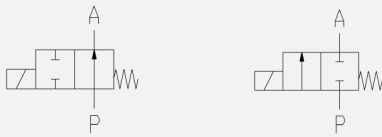

3/2-way solenoid valve - valve normally closed (NC)
- valve normally open (NO)

Solenoid valve for neutral, gaseous and liquid media

- For general purposes
- No pressure difference necessary
- High life time
- Reliable and sturdy sealing elements
- Long-term availability of spare parts
- High-quality materials



TECHNICAL SPECIFICATIONS

Type of control:	Direct operated, no pressure difference necessary	Supply voltage:	AC 50/60Hz 24V, 110V, 230V DC 0Hz 12V, 24V
Design:	Piston design	Voltage tolerance:	-10% / +10%
Connection:	Threaded G 1/4 - G 1/2 DIN ISO 228 (BSP) <i>Further connections on request</i>	Consumption:	A01 = 6.8 Watt E01 = 5.2 Watt A02 = 11 Watt E02 = 10 Watt A03 = 18.5 Watt
Installation:	Actuator preferable upright	Protection class:	IP 65 acc. to DIN 60529
Pressure:	0 - 90 bar (see table page 2)	Duty factor:	100% ED - VDE 0580
Medium:	Clean, neutral, liquid or gaseous	Connection type:	Plug
Viscosity:	22 mm ² /s	Function:	NC NO
Temperature range:	Medium: -10 °C up to +80 °C Ambient: -10 °C up to +50 °C		
Body material	Brass 2.0401 / 2.0402 Stainless steel 1.4305 (AISI 303) Stainless steel 1.4571 (AISI 316Ti)	Certificates:	
Metallic inner parts:	Brass and stainless steel	Ex-proof:	acc. to directive 2014/34/EG (ATEX)
Sealing:	FKM, EPDM, PTFE		

ORDERING SYSTEM

M-PS	1	03	G	A	1.5	A	B	A03	NO
Type	Control type	Code	Connection type	Connection size	Nominal diameter mm	Body material	Sealing material	Actuator type	Option
	1 direct operated		G BSP N NPT	A 1/8 B 1/4 C 3/8 D 1/2		A Brass B AISI303 C AISI316	B FKM C EPDM D PTFE	A standard E ex.-proof	

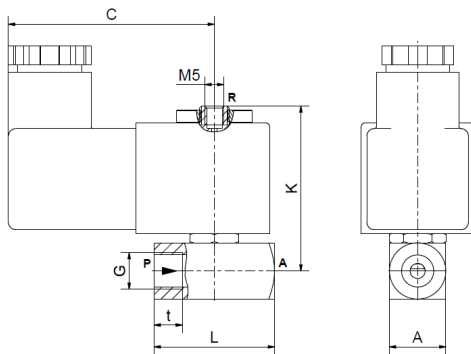
Standard NC type	Seat ϕ mm	Kv-value m^3/h	max. pressure				max. pressure ATEX	
			A01	A02	A03	A03-NO	E01	E02
M-PS 103 GB	1.0	0.06	-	-	0-90*	-	-	-
M-PS 103 GB	1.0	0.06	0-10	0-25	0-50	0-25	0-10	0-20
M-PS 103 GB	1.5	0.09	0-8	0-15	0-25	0-15	0-5	0-10
M-PS 103 GB	2.0	0.13	0-6	0-11	0-22	0-11	0-3	0-8
M-PS 103 GB	2.5	0.16	-	0-8	0-15	0-8	-	0-6
M-PS 103 GB	3.0	0.20	-	0-6	0-10	0-5	-	0-3

* only available for valve M-PS 103 GB1.0(A,B,C)DA03 (PTFE)

Dimensions

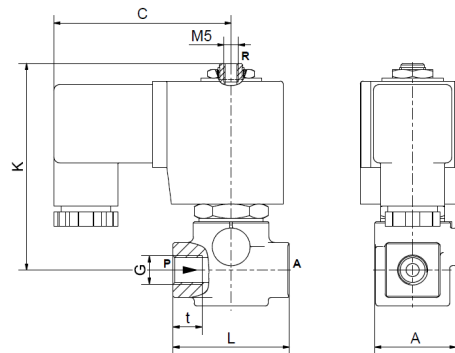
Design 1

Brass with coil A01 (E01) and all stainless steel variations



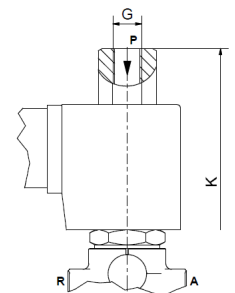
Design 2

Forged brass with coil A02 / A03 (E02)



Detail

NO—normally open



Coil	A01 / E01	A02 / E02	A03	A03-NO
Type	M-PS 103 M-LT 301			
G	1/8	1/8	1/8	1/8
A	15	28	28	28
C	55	59	61	61
K	44	72	72	85
L	32	40	40	40
t	7.5	10	10	10
kg	0.2	0.4	0.5	0.55

* Different dimension „C“ for ATEX-coils

Dimensions for connection sizes G1/4, G3/8 and G1/2 on request.

- The GVT logo is a registered trademark.
- Note: All texts and images are the property of GVT and must not be replicated or modified, not even in part, without written approval.
- Original products may differ from the product images shown, due to different materials and the like.
- Subject to error and changes.