



# Technical Data Sheet M-HD 204

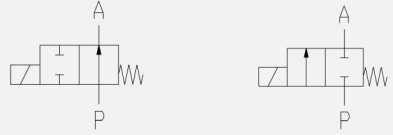



2/2-way solenoid valve - valve normally closed (NC)  
- valve normally open (NO)

## Solenoid valve for high pressure applications

- For high pressure applications **up to 100 bar**
- Pressure difference is required
- High life time
- Simple compact valve design
- Reliable and sturdy sealing elements
- Long-term availability of spare parts
- High-quality materials

## TECHNICAL SPECIFICATIONS

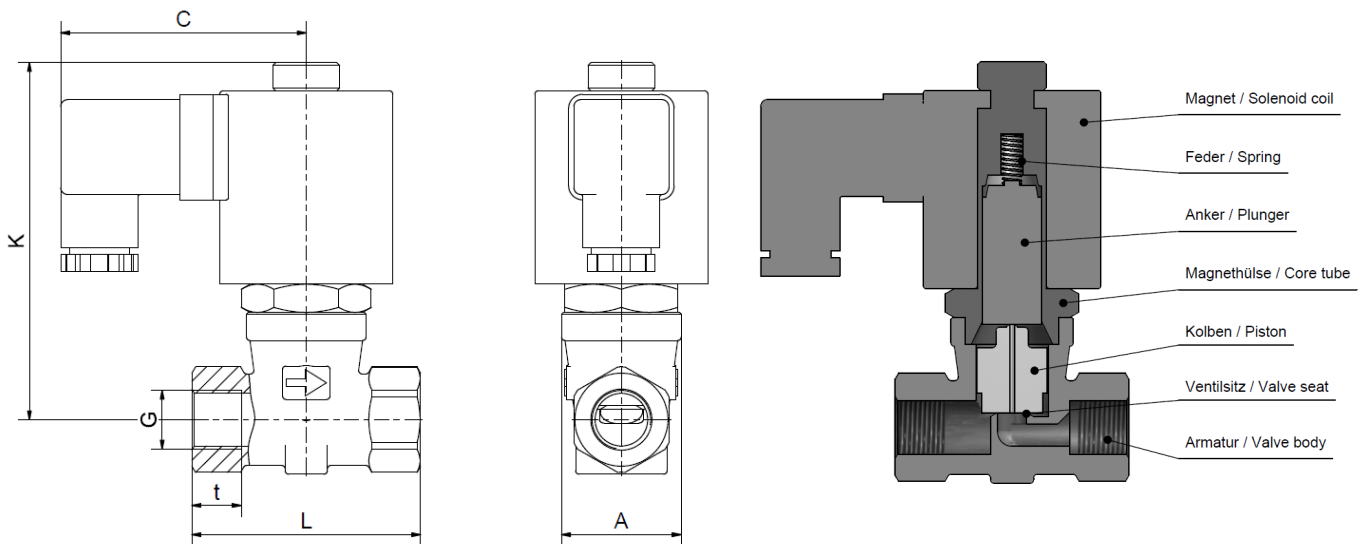
Type of control:	Pilot operated, pressure difference requ.	Supply voltage:	AC 50/60Hz 24V, 110V, 230V DC 0Hz 12V, 24V
Design:	Piston design	Voltage tolerance:	-10% / +10%
Connection:	Threaded G 1/4 - G 1/2 DIN ISO 228 (BSP) <i>Further connections on request</i>	Consumption:	A03 = 18.5 Watt      E02 = 10 Watt A05 = 24 Watt      E05 = 24 Watt
Installation:	Actuator preferable upright	Protection class:	IP 65 acc. to DIN 60529
Pressure:	1 - 100 bar	Duty factor:	100% ED - VDE 0580
Medium:	Clean, neutral, liquid or gaseous	Connection type:	Plug
Viscosity:	22 mm <sup>2</sup> /s	Funktion:	NC      NO
Temperature range:	Medium: -40 °C up to +80 °C Ambient: -40 °C up to +50 °C		
Body material	Stainless steel 1.4581 (AISI 316Ti)	Certificates:	
Metallic inner parts:	Stainless steel	Ex-proof:	Acc. to directive 2014/34/EG (ATEX)
Sealing:	PTFE		

## ORDERING SYSTEM

M-HD	2	04	G	D	8.0	D	D	A05	NO
Type	Control type	Code	Connection type	Connection size	Nominal diameter mm	Body material	Sealing material	Actuator type	Option
	2 pilot operat.		G BSP N NPT	B 1/4 C 3/8 D 1/2		D AISI316	D PTFE	A Standard E Ex-proof	

Standard type	Seat $\varnothing$ mm	Kv-value $m^3/h$	max. pressure			max. pressure ATEX		
			A03	A05	A05-NO	E02	E05	E05-NO
M-HD 204 GB	8.0	1.0	5-80	1-100	1-70	5-60	1-100	1-70
M-HD 204 GC	8.0	1.2	5-80	1-100	1-70	5-60	1-100	1-70
M-HD 204 GD	8.0	2.0	5-80	1-100	1-70	5-60	1-100	1-70

## Dimensions



Coil	A03 / E02*			A05 / E05*		
Type	M-HD 204			M-HD 204		
	GB	GC	GD	GB	GC	GD
G	1/4	3/8	1/2	1/4	3/8	1/2
A	34	34	34	34	34	34
C	61	61	61	70	70	70
K	91	91	91	102	102	102
L	65	65	65	65	65	65
t	14	14	14	14	14	14
kg	0.7	0.65	0.6	1.2	1.15	1.1

\* Different dimension „C“ at ATEX coil

- The **GVT** logo is a registered trademark.
- Note: All texts and images are the property of **GVT** and must not be replicated or modified, not even in part, without written approval.
- Original products may differ from the product images shown, due to different materials and the like.
- Subject to error and changes.