



# Technical Data Sheet M-PS 105



3/2-way solenoid valve - universal function (UN)

## Solenoid valve for neutral, gaseous and liquid media

- For general purposes
- No pressure difference necessary
- High life time
- Reliable and sturdy sealing elements
- Long-term availability of spare parts
- High-quality materials

## TECHNICAL SPECIFICATIONS

Type of control: Direct operated, no pressure difference necessary

Design: Poppet design

Connection: Threaded G 1/4 - G 2 DIN ISO 228 (BSP)  
*Further connections on request*

Installation: Actuator upright

Pressure: 0 - 20 bar (see table page 2)

Medium: Clean, neutral, liquid or gaseous

Viscosity: 22 mm<sup>2</sup>/s

Temperature range: Medium: -30 °C up to +80 °C  
Ambient: -30 °C up to +50 °C

Body material: Brass 2.0401 / 2.0402  
Stainless steel 1.4571 (AISI 316Ti)

Metallic inner parts: Brass and stainless steel

Sealing: NBR, FKM, EPDM, PTFE

Supply voltage: AC 50/60Hz 24V, 110V, 230V  
DC 0Hz 12V, 24V

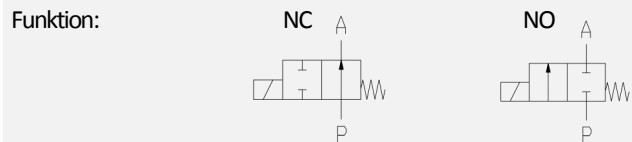
Voltage tolerance: -10% / +10%

Consumption: A03 = 18 Watt      E05 = 24 Watt  
A06 = 30 Watt      E06 = 24 Watt  
A07 = 46 Watt      E07 = 30 Watt  
A08 = 100 Watt      E08 = 47 Watt  
A09 = 150 Watt      E09 = 75 Watt

Protection class: IP 65 acc. to DIN 60529

Duty factor: 100% ED - VDE 0580

Connection type: Plug, Terminal box



Certificates:



Ex-proof: acc. to directive 2014/34/EG (ATEX)

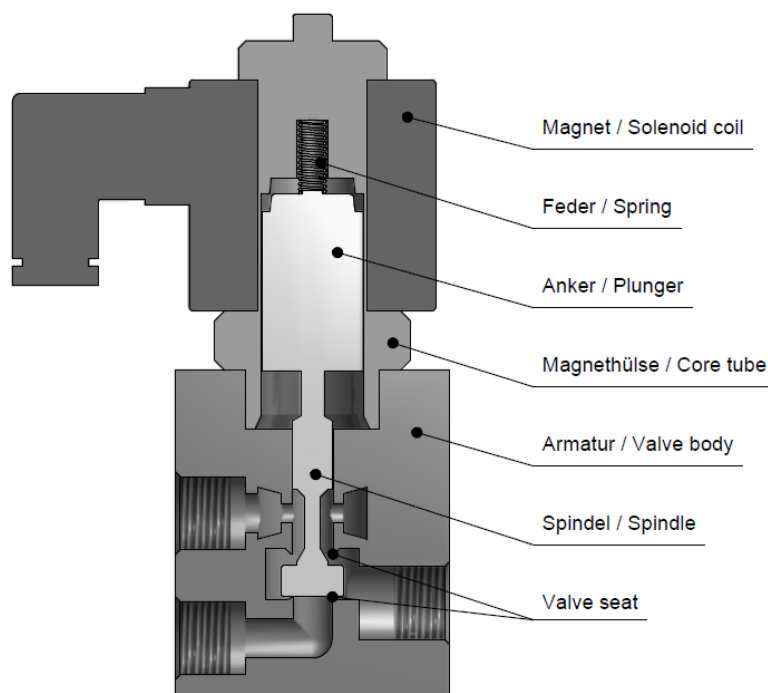
## ORDERING SYSTEM

M-PS	1	05	G	D	11.0	A	A	A07	HA
Type	Control type	Code	Connection type	Connection size	Nominal diameter mm	Body material	Sealing material	Actuator type	Option
	1 direct operated		G BSP N NPT	B 1/4 C 3/8 D 1/2 E 3/4 F 1 G 1 1/4 H 1 1/2 I 2		A Brass C AISI316	A NBR B FKM C EPDM D PTFE	A standard E ex.-proof	

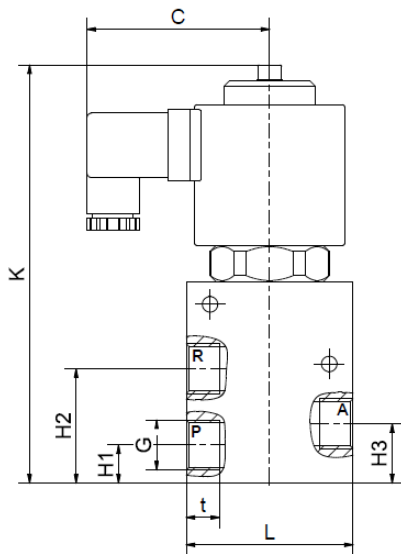
Standard NC type	Seat $\varnothing$ mm	Kv-value $\text{m}^3/\text{h}$	max. pressure				
			A03	A06	A07	A08	A09
M-PS 105 GB	6.0	0.5	0-8	-	-	-	-
M-PS 105 GB	11.0	0.8	-	0-10	0-20	-	-
M-PS 105 GC	11.0	1.0	-	0-10	0-20	-	-
M-PS 105 GD	11.0	1.2	-	0-10	0-20	-	-
M-PS 105 GE	22.0	5.3	-	0-1	0-10	0-20	-
M-PS 105 GF	22.0	5.3	-	0-1	0-10	0-20	-
M-PS 105 GG	32.0	21.0	-	-	0-1	0-10	0-15
M-PS 105 GH	32.0	21.0	-	-	0-1	0-10	0-15
M-PS 105 GI	40.0	29.0	-	-	-	0-3	0-8

Standard NC type	Seat $\varnothing$ mm	Kv-value $\text{m}^3/\text{h}$	max. pressure ATEX				
			E05	E06	E07	E08	E09
M-PS 105 GB	6.0	0.5	0-10	-	-	-	-
M-PS 105 GB	11.0	0.8	-	0-4	0-10	-	-
M-PS 105 GC	11.0	1.0	-	0-4	0-10	-	-
M-PS 105 GD	11.0	1.2	-	0-4	0-10	-	-
M-PS 105 GE	22.0	5.3	-	-	0-1	0-10	-
M-PS 105 GF	22.0	5.3	-	-	0-1	0-10	-
M-PS 105 GG	32.0	21.0	-	-	-	0-5	0-10
M-PS 105 GH	32.0	21.0	-	-	-	0-5	0-10
M-PS 105 GI	40.0	29.0	-	-	-	-	0-5

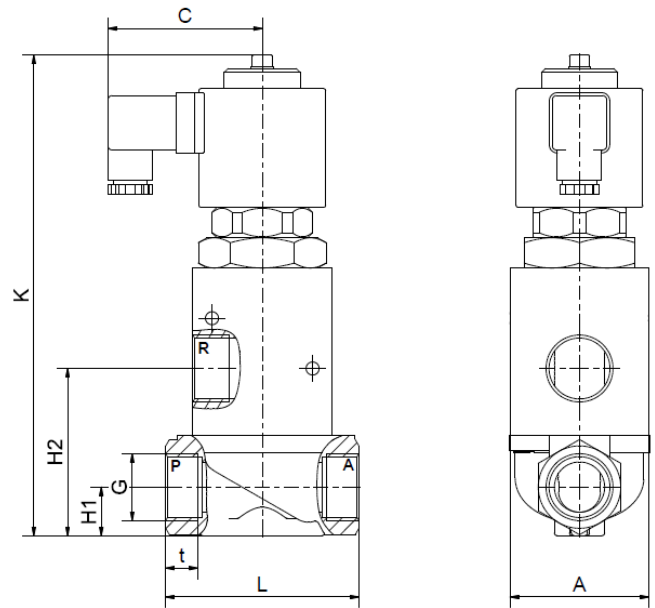
## Valve design



M-PS 105 GB6.0 – GD



M-PS 105 GE – GI



Coil	A03		E05		A06 / E06				A07 / E07			
Type	M-PS 105		M-PS 105		M-PS 105				M-PS 105			
	GB6.0	GB6.0	GB	GC	GD	GE	GF	GB	GC	GD	GE	
G	1/4	1/4	1/4	3/8	1/2	3/4	1	1/4	3/8	1/2	3/4	
A	30	35	50	50	50	69	69	59	59	59	69	
C	61	75	77	77	77	77	77	93	93	93	93	
H1	12.5	11.5	16	16	16	24.2	24.2	16	16	16	24.2	
H2	23.5	22	48	48	48	83.2	83.2	48	48	48	83.2	
H3	35.5	34.5	25	25	25	-	-	25	25	25	-	
K	102	118	176	176	176	240	240	222	222	222	250	
L	55	60	70	70	70	96	96	70	70	70	96	
t	12	12	12	12	14	16	16	12	12	14	16	
kg	1.0	1.7	3.2	3.2	3.1	5.4	5.2	4.7	4.7	4.6	6.4	

Coil	A07 / E07			A08 / E068				A09 / E09			
Type	M-PS 105			M-PS 105				M-PS 105			
	GF	GG	GH	GE	GF	GG	GH	GI	GG	GH	GI
G	1	1 1/4	1 1/2	3/4	1	1 1/4	1 1/2	2	1 1/4	1 1/2	2
A	69	98	98	69	69	98	98	110	98	98	110
C	93	93	93	107	107	107	107	107	127	127	127
H1	24.2	32.5	32.5	24.2	24.2	32.5	32.5	38.5	32.5	32.5	38.5
Q	83.2	116.5	116.5	83.2	83.2	116.5	116.5	140.5	116.5	116.5	140.5
K	250	306	306	272	272	323	323	370	381	381	421
L	96	140	140	96	96	140	140	168	140	140	168
t	16	22	22	16	16	22	22	22	22	22	22
kg	6.2	12.1	12.1	10.0	9.8	15.1	15.0	18.5	26.4	26.3	29.1

- The GVT logo is a registered trademark.
- Note: All texts and images are the property of GVT and must not be replicated or modified, not even in part, without written approval.
- Original products may differ from the product images shown, due to different materials and the like.
- Subject to error and changes.