



Technical Data Sheet M-PS 203

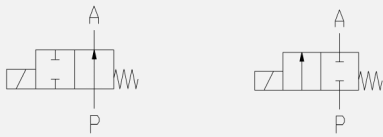



2/2-way solenoid valve - valve normally closed (NC)
- valve normally open (NO)

Solenoid valve for neutral, gaseous and liquid media

- For general purposes
- Pressure difference required
- High life time
- Reliable and sturdy sealing elements
- Long-term availability of spare parts
- High-quality materials

TECHNICAL SPECIFICATIONS

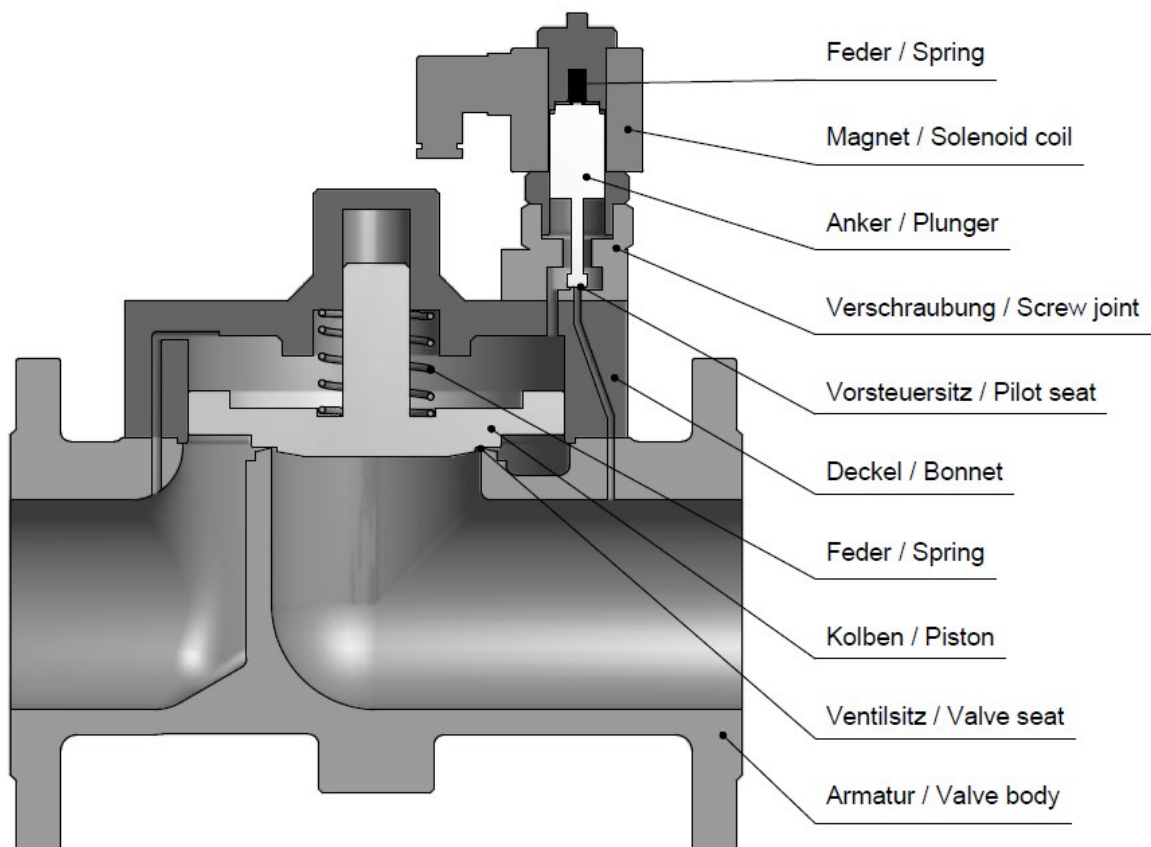
Type of control:	Pilot operated, Pressure difference required	Supply voltage:	AC 50/60Hz 24V, 110V, 230V DC 0Hz 12V, 24V
Design:	Piston design	Voltage tolerance:	-10% / +10%
Connection:	Flanges acc. To EN 1092-1 Form B1/B2 <i>Further connections on request</i>	Consumption:	A05 = 24 Watt E05 = 24 Watt A06 = 30 Watt E06 = 24 Watt A07 = 46 Watt E07 = 30 Watt A08 = 100 Watt E08 = 47 Watt
Installation:	Actuator upright	Protection class:	IP 65 acc. to DIN 60529
Pressure:	1 - 40 bar (see table page 2)	Duty factor:	100% ED - VDE 0580
Medium:	Clean, neutral, liquid or gaseous	Connection type:	Plug, Terminal box
Viscosity:	22 mm ² /s	Function:	NC NO
Temperature range:	Medium: -10 °C up to +80 °C Ambient: -10 °C up to +50 °C		
Body material	Cast steel GP240 GH	Certificates:	
Metallic inner parts:	Stainless steel	Ex-proof:	acc. to directive 2014/34/EU (ATEX)
Sealing:	PTFE		

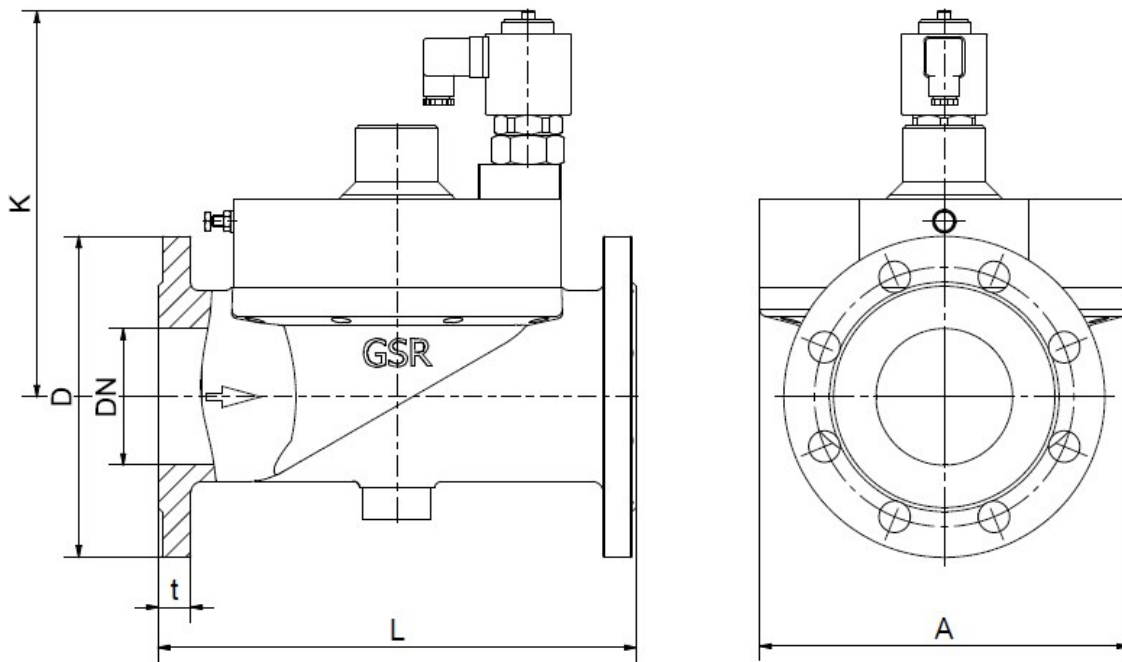
ORDERING SYSTEM

M-PS	2	03	X	R	100.0	F	D	A0&	HA
Type	Control type	Code	Connection type	Connection size	Nominal diameter mm	Body material	Sealing material	Actuator type	Option
	2 Pilot operated		X PN40 Y ANSI300	P DN65 Q DN80 R DN100 S DN125 T DN150 U DN200 V DN250		F GP240GH	D PTFE	A standard E ex.-proof	

Standard NC type	Seat \varnothing mm	Kv-value m^3/h	max. pressure				max. pressure ATEX			
			A05	A06	A07	A08	E05	E06	E07	E08
M-PS 203 XP	65.0	75.0	1-40	-	-	-	1-40	-	-	-
M-PS 203 XQ	80.0	97.0	1-40	-	-	-	1-40	-	-	-
M-PS 203 XR	100.0	143.0	-	1-40	-	-	-	1-25	-	-
M-PS 203 XS	125.0	240.0	-	-	2-40	-	-	-	2-16	-
M-PS 203 XT	150.0	370.0	-	-	2-40	-	-	-	2-16	-
M-PS 203 XU	200.0	625.0	-	-	-	2-40	-	-	-	2-16
M-PS 203 XV	250.0	950.0	-	-	-	2-40	-	-	-	2-16

Valve design





Coil	A05 / E05*		A06 / E06*	A07 / E07		A08 / E08	
Type	XP	XQ	XR	M-PS 203		XU	XV
DN	65	80	100	125	150	200	250
A	215	250	270	235	265	345	415
C	70	70	77	93	93	107	107
D	185	200	235	270	300	340	450
K	205	225	285	355	360	440	530
L	290	310	350	400	480	600	730
t	22	24	24	26	28	34	38
kg	27.5	38.4	53.4	54.7	75.1	148.9	235.8

* Different dimension „C“ for ATEX coils

- The GVT logo is a registered trademark.
- Note: All texts and images are the property of GVT and must not be replicated or modified, not even in part, without written approval.
- Original products may differ from the product images shown, due to different materials and the like.
- Subject to error and changes.