



Technical Data Sheet M-PS 102F



2/2-way solenoid valve - valve normally closed (NC)
- valve normally open (NO)

Solenoid valve for liquid and gaseous media

- For low pressure applications
- No pressure difference necessary
- High life time
- Reliable and sturdy sealing elements
- Long-term availability of spare parts
- High-quality materials

TECHNICAL SPECIFICATIONS

Type of control:	Direct operated, no pressure difference necessary	Supply voltage:	AC 50/60Hz 24V, 110V, 230V DC 0Hz 12V, 24V
Design:	Poppet design	Voltage tolerance:	-10% / +10%
Connection:	Flanged DN15 - DN80 EN 1092-1 Form B1/B2 <i>Larger nominal sizes on request</i>	Consumption:	A03 = 18 Watt E02 = 10 Watt A05 = 24 Watt E05 = 24 Watt A06 = 30 Watt E06 = 24 Watt A07 = 46 Watt E07 = 30 Watt A08 = 100 Watt E08 = 47 Watt A09 = 150 Watt E09 = 75 Watt
Installation:	Actuator upright	Protection class:	IP 65 acc. to DIN 60529
Pressure:	0 - 3 bar (see table page 2)	Duty factor:	100% ED - VDE 0580
Medium:	Clean, neutral, liquid or gaseous	Connection type:	Plug / Terminal box
Viscosity:	22 mm ² /s	Funktion:	<div style="display: flex; justify-content: space-around;"> <div style="text-align: center;"> <p>NC</p> </div> <div style="text-align: center;"> <p>NO</p> </div> </div>
Temperature range:	Medium: -10 °C up to +80 °C Ambient: -10 °C up to +50 °C	Certificates:	
Body material	Stainless steel 1.4408 (AISI 316L)	Ex-proof:	acc. to directive 2014/34/EG (ATEX)
Metallic inner parts:	Stainless steel		
Sealing:	NBR, FKM, EPDM		

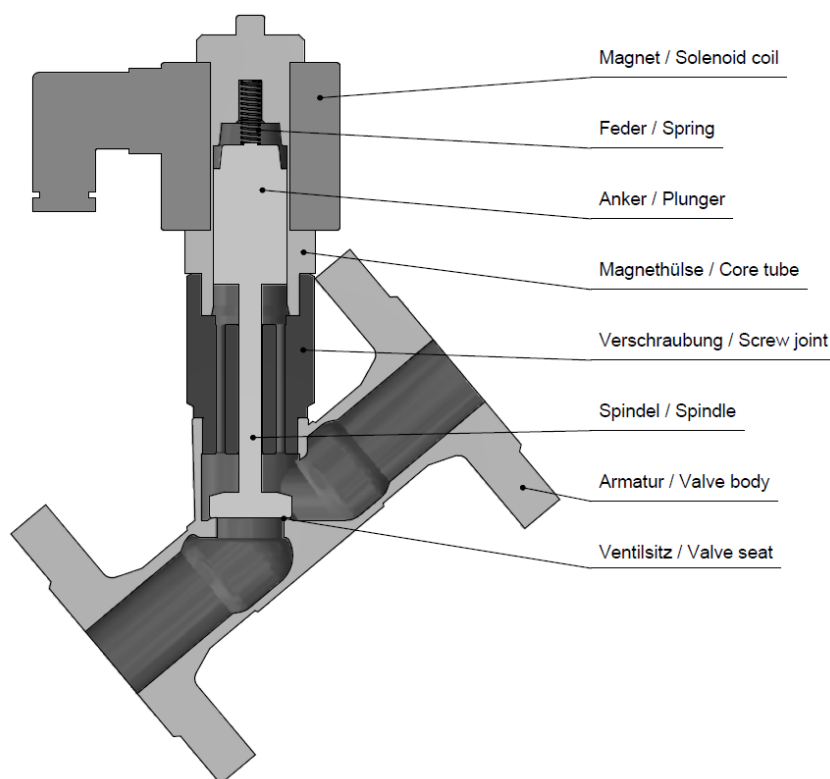
ORDERING SYSTEM

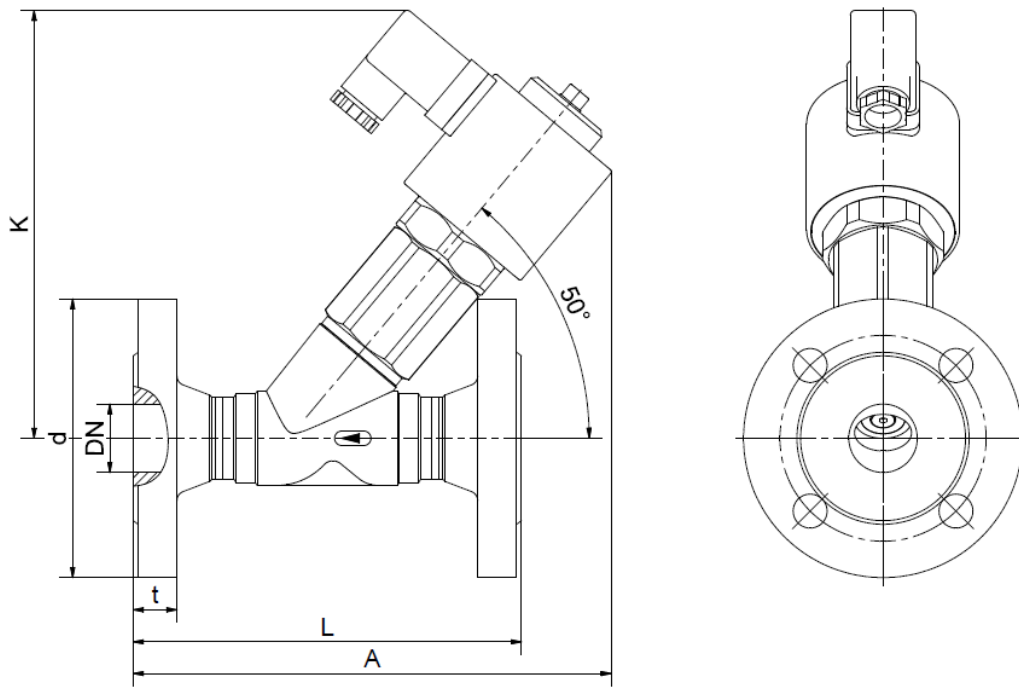
M-PS	1	02	X	L	24.0	D	A	A07	NO
Type	Control type	Code	Connection type	Connection size	Nominal diameter mm	Body material	Sealing material	Actuator type	Option
	1 direct operated		X PN40 Y ANSI300	J DN15 K DN20 L DN25 M DN32 N DN40 O DN50 P DN65 Q DN80		D AISI316	A NBR B FKM C EPDM	A standard E ex-proof	

Standard NC type	Seat \varnothing mm	Kv-value m^3/h	max. pressure					
			A03	A05	A06	A07	A08	A09
M-PS 102 XJ	13	3.2	0-0.5	0-1	0-3	-	-	-
M-PS 102 XK	18	4.9	0-0.1	0-0.4	0-1	0-2	-	-
M-PS 102 XL	24	8.5	-	0-0.2	0-0.5	0-1	0-2	-
M-PS 102 XM	29	15.0	-	-	0-0.3	0-0.5	0-1	-
M-PS 102 XN	35	20.0	-	-	-	0-0.3	0-0.5	-
M-PS 102 XO	45	30.0	-	-	-	0-0.15	0-0.3	0-0.8
M-PS 102 XP	62	58.0	-	-	-	-	0-0.15	0-0.4
M-PS 102 XQ	75	60.0	-	-	-	-	0-0.1	0-0.3

Standard NC type	Seat \varnothing mm	Kv-value m^3/h	max. pressure with ATEX coils					
			E02	E05	E06	E07	E08	E09
M-PS 102 XJ	13	3.2	0-0.2	0-1	0-1	-	-	-
M-PS 102 XK	18	4.9	-	0-0.4	0-0.5	0-1.2	-	-
M-PS 102 XL	24	8.5	-	0-0.2	0-0.5	0-0.7	0-1	-
M-PS 102 XM	29	15.0	-	-	0-0.2	0-0.3	0-0.5	-
M-PS 102 XN	35	20.0	-	-	-	0-0.2	0-0.3	-
M-PS 102 XO	45	30.0	-	-	-	-	0-0.2	0-0.4
M-PS 102 XP	62	58.0	-	-	-	-	-	0-0.15
M-PS 102 XQ	75	60.0	-	-	-	-	-	0-0.15

Valve Design





Coil	A03 / E02		A05 / E05			A06 / E06				A07 / E07		
Type	M-PS 102 XJ	M-PS 102 XK	M-PS 102 XJ	M-PS 102 XK	M-PS 102 XL	M-PS 102 XJ	M-PS 102 XK	M-PS 102 XL	M-PS 102 MX	M-PS 102 XK	M-PS 102 XL	M-PS 102 XM
DN	15	20	15	20	25	15	20	25	32	20	25	32
A	150	150	178	187	187	194	204	198	210	228	232	245
C	61	61	70	70	70	77	77	77	77	93	93	93
d	95	105	95	105	115	95	105	115	140	105	115	140
K	135	120	167	169	165	185	187	177	185	220	223	233
L	130	150	130	150	160	130	150	160	180	150	160	180
t	16	18	16	18	18	16	18	18	18	18	18	18
kg	2.3	3.1	2.8	3.5	4.1	3.5	4.3	5.1	6.0	5.8	6.6	8.0

Differing dimension „K“ for ATEX-coils

Coil	A07 / E07		A08 / E08						A09 / E09		
Type	M-PS 102 XN	M-PS 102 XO	M-PS 102 XL	M-PS 102 XM	M-PS 102 XN	M-PS 102 XO	M-PS 102 XP*	M-PS 102 XQ*	M-PS 102 XO	M-PS 102 XP*	M-PS 102 XQ*
DN	40	50	25	32	40	50	65	80	50	65	80
A	240	256	262	275	287	290	on req.	on req.	on req.	on req.	on req.
C	93	93	107	107	107	107	107	107	127	127	127
d	150	165	115	140	150	165	185	200	165	185	200
K	215	223	250	260	265	255	on req.	on req.	on req.	on req.	on req.
L	200	230	160	180	200	230	290	310	230	290	310
t	18	20	18	18	18	20	22	24	20	22	24
kg	9.0	11.0	10.2	11.7	12.7	14.7	on req.	on req.	on req.	on req.	on req.

* M-PS 102 XP and XQ with straight seated body design

- The GVT logo is a registered trademark.
- Note: All texts and images are the property of GVT and must not be replicated or modified, not even in part, without written approval.
- Original products may differ from the product images shown, due to different materials and the like.
- Subject to error and changes.