

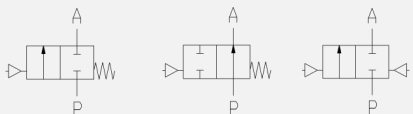

3/2-Way pressure controlled valve - valve normally closed (NC)
 - valve normally open (NO)
 - double acting actuator (DW)

Pressure controlled valve for neutral gaseous and liquid media

- For general purposes
- No pressure difference necessary
- High life time
- Reliable and sturdy sealing elements
- Long-term availability of spare parts
- High-quality materials



TECHNICAL SPECIFICATIONS

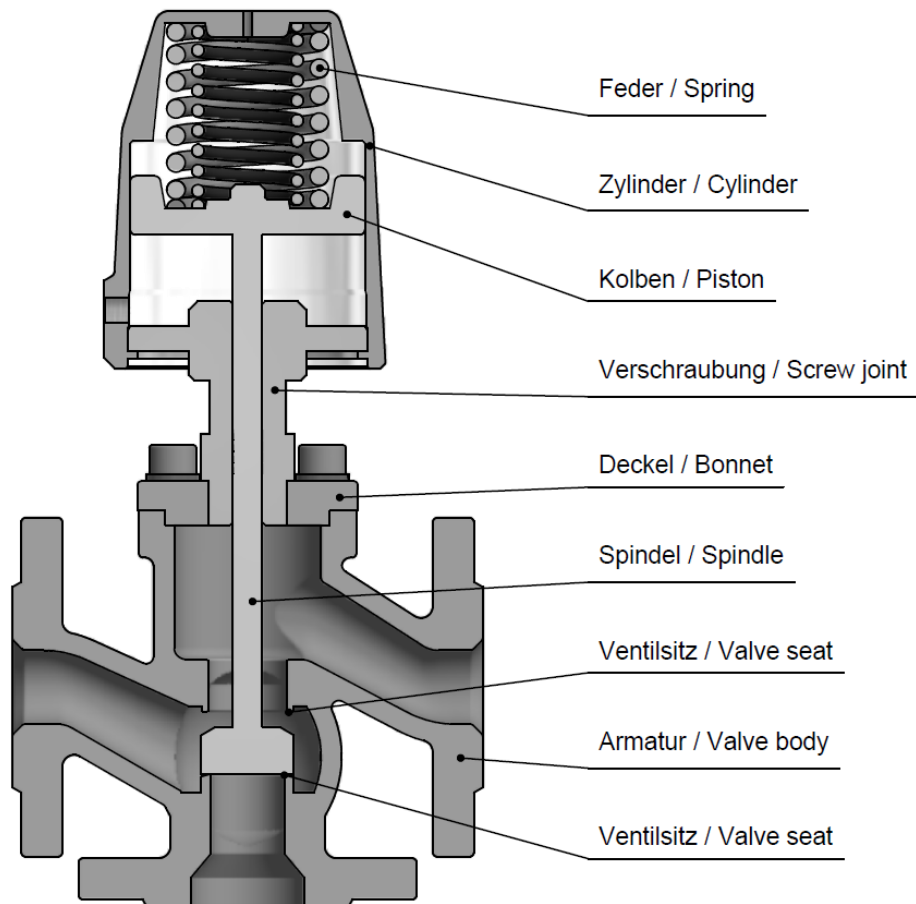
Type of control:	Direct operated, pressure controlled	Supply voltage:	-
Design:	Poppet design	Voltage tolerance:	-
Connection:	Flanged DN15 - DN150 EN1092-1 Form B1	Consumption:	-
Installation:	Actuator upright	Protection class:	-
Pressure:	0-40 bar (see table page 2)	Duty factor:	-
Medium:	Clean, neutral, gaseous and liquid	Connection type:	-
Viscosity:	400 mm ² /s	Funktion:	NC NO DW
Temperature range:	Medium: -40 °C up to +200 °C Ambient: -10 °C up to +60 °C		
Body material	Spheroidal cast EN-GJS-400-18-LT Cast iron EN-GJL-250 Cast steel GP240 GH	Certificates:	
Metallic inner parts:	Brass and Stainless steel	Ex-proof:	optional with mech. ATEX
Sealing:	NBR, PTFE		
Pilot pressure:	6-10 bar		
Pilot medium:	clean and neutral gases		

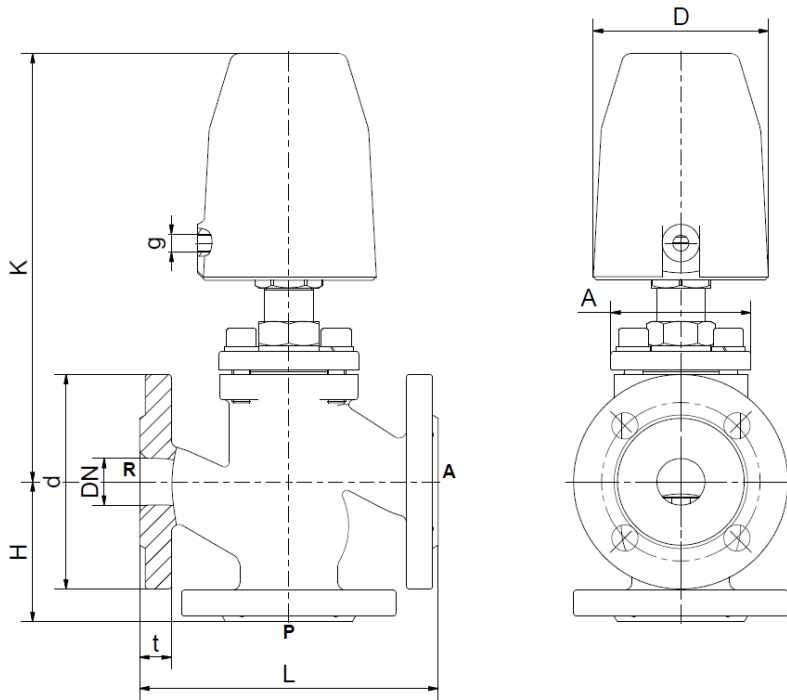
ORDERING SYSTEM

P-PS	1	03	D	L	27.0	E	A	13
Type	Control type	Code	Connection type	Connection size	Nominal diameter mm	Body material	Sealing material	Actuator type
	1 direct operating		D DIN PN16 X DIN PN40 A ANSI150 Y ANSI300	J DN15 K DN20 L DN25 M DN32 N DN40 O DN50 P DN65 Q DN80 R DN100 S DN125 T DN150		E EN-GJL-250 F GP240 GH G EN-GJS-400	A NBR D PTFE	05 50 mm 08 80 mm 13 125 mm

Standard NC type	Seat ø mm	Kv-value m ³ /h	max. pressure with actuator					
			P05		P08		P13	
			NC	UN	NC	UN	NC	UN
P-PS 103 DJ	21	6.8	0-5	0-4	0-16	0-12	-	-
P-PS 103 DK	21	8.8	0-5	0-4	0-16	0-12	-	-
P-PS 103 DL	27	11.5	0-3	0-3	0-14	0-8	0-16	0-16
P-PS 103 DM	31	26.0	-	-	0-9	0-8	0-16	0-16
P-PS 103 DN	41	38.0	-	-	0-3	0-3	0-16	0-16
P-PS 103 DO	51	62.0	-	-	0-2	0-2	0-16	0-16
P-PS 103 GP	66	-	-	-	-	-	0-16	0-15
P-PS 103 GQ	80	-	-	-	-	-	0-10	0-10
P-PS 103 GR	100	-	-	-	-	-	0-10	0-10
P-PS 103 GS	125	-	-	-	-	-	0-8	0-8
P-PS 103 GT	150	-	-	-	-	-	0-8	0-8

Valve design





Actuator	P05			P08					
	P-PS 103			P-PS 103					
Type	DJ	DK	DL	DJ	DK	DL	DM	DN	DO
DN	15	20	25	15	20	25	32	40	50
A	75	75	75	75	75	75	75	90	100
d	95	105	115	95	105	115	140	150	165
D	62	62	62	94	94	94	94	94	94
H	65	70	75	65	70	75	75	90	100
K	205	205	196	226	226	230	255	265	260
L	130	150	160	130	150	160	180	200	230
g	1/8	1/8	1/8	1/8	1/8	1/8	1/8	1/8	1/8
t	14	16	17	14	16	17	18	19	21
kg	4.5	5.5	6.7	4.8	6.0	7.0	10.0	12.5	15.0

Actuator	P013								
	P-PS 103								
Type	DL	DM	DN	DO	DP	DQ	DR	DS	DT
DN	25	32	40	50	65	80	100	125	150
A	75	75	90	100	112	136	195	235	295
d	115	140	150	165	185	200	220	270	300
D	141	141	141	141	141	141	141	141	141
H	75	75	90	100	120	130	150	200	300
K	315	340	360	370	390	415	430	470	460
L	160	180	200	230	290	310	350	400	480
g	1/4	1/4	1/4	1/4	1/4	1/4	1/4	1/4	1/4
t	17	18	19	21	22	24	25	26	28
kg	10.0	12.5	16.5	18.5	26.5	34.0	48.0	77.0	134.0

- The **GVT** logo is a registered trademark.
- Note: All texts and images are the property of **GVT** and must not be replicated or modified, not even in part, without written approval.
- Original products may differ from the product images shown, due to different materials and the like.
- Subject to error and changes.