



Technical Data Sheet P-HD 201



2/2-Way pressure controlled valve - valve normally closed (NC)
- valve normally open (NO)

Pressure controlled valve for high pressure application

- For high pressure applications **up to 600 bar**
- Pressure difference necessary
- High life time
- Reliable and sturdy sealing elements
- Long-term availability of spare parts
- High-quality materials

TECHNICAL SPECIFICATIONS

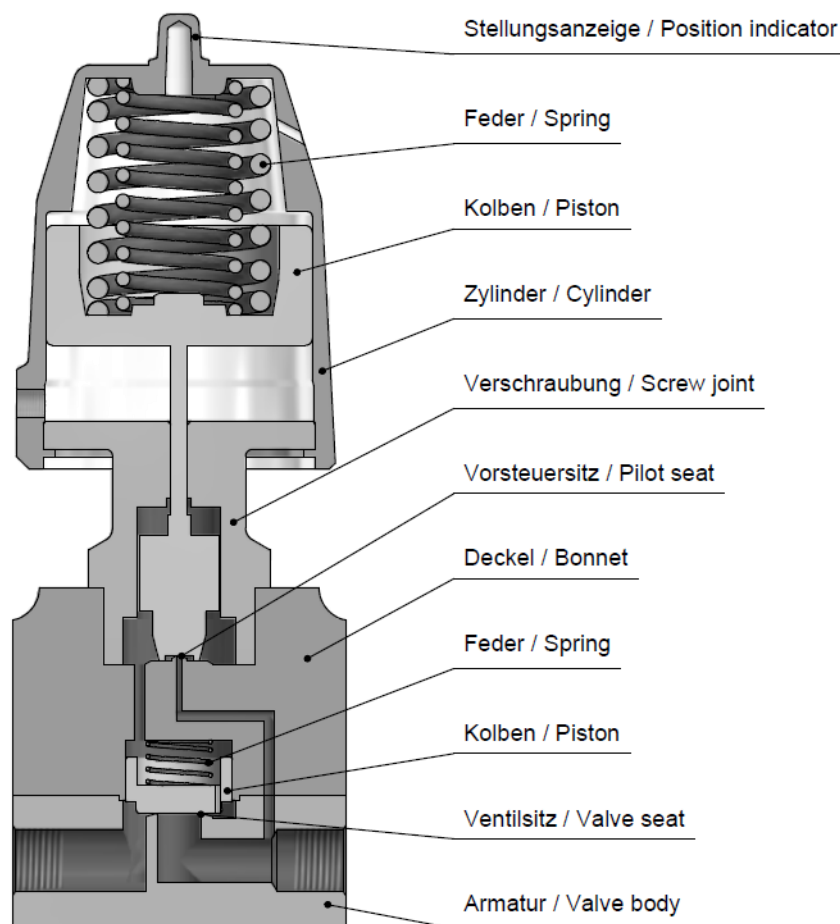
Type of control:	Pilot-pressure operated	Supply voltage:	-
Design:	Piston design	Voltage tolerance:	-
Connection:	Threaded G 1/2 - G 2 DIN ISO 228 (BSP) Further connections like NPT on request	Consumption:	-
Installation:	Preferable with actuator upright	Protection class:	-
Pressure:	1 - 600 bar (see table page 2)	Duty factor:	-
Medium:	Clean, neutral, gaseous and liquid	Connection type:	-
Viscosity:	22 mm ² /s	Funktion:	
Temperature range:	Medium: -30 °C up to +80 °C Ambient: -10 °C up to +60 °C	Certificates:	
Body material	Stainless steel 1.4571 (AISI316Ti)	Ex-proof:	optional with mech. ATEX
Metallic inner parts:	Stainless steel		
Sealing:	PEEK		
Pilot pressure:	6-10 bar		
Pilot medium:	clean and neutral gases		

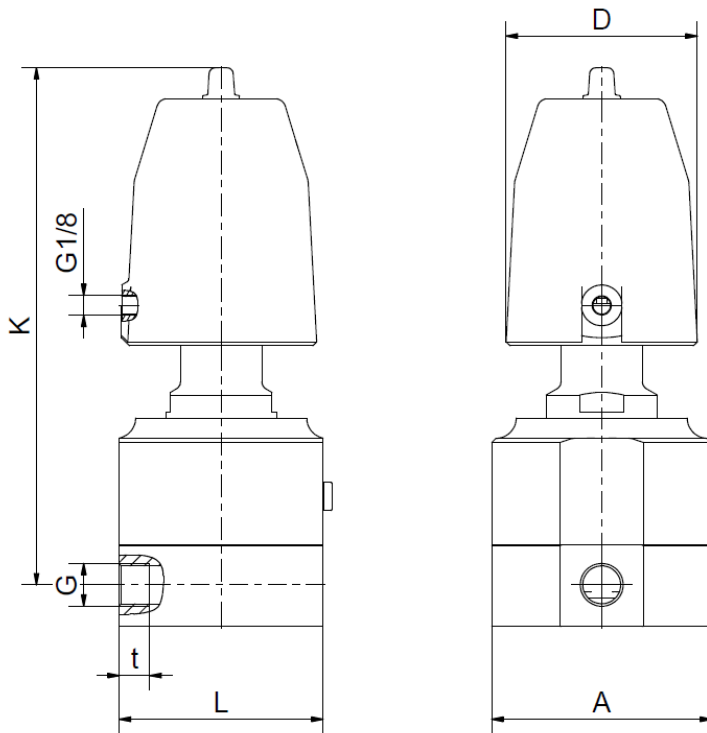
ORDERING SYSTEM

P-HD	2	01	G	D	13.0	C	E	P05
Type	Control type	Code	Connection type	Connection size	Nominal diameter mm	Body material	Sealing material	Actuator type
	2 pilot operated		G BSP N NPT	D 1/2 E 3/4 F 1 G 1 1/4 H 1 1/2 I 2		C AISI316Ti	E PEEK	05 50 mm 08 80 mm

Standard NC type	Seat \varnothing mm	Kv-value m^3/h	max. pressure with actuator	
			P05	P08
P-HD 201 GD	13.0	3.8	1-300	1-600
P-HD 201 GE	25.0	11.5	1-300	1-600
P-HD 201 GF	25.0	13.0	1-300	1-600
P-HD 201 GG	32.0	22.0	1-200	1-600
P-HD 201 GH	40.0	24.0	1-200	1-600
P-HD 201 GI	50.0	32.0	1-200	1-600

Valve design





Actuator	P05					
Type	P-HD 201					
	GD	GE	GF	GG	GH	GI
G	1/2	3/4	1	1 1/4	1 1/2	2
A	84	110	110	155	155	170
D	62	62	62	62	62	62
K	211	226	226	248	248	301
L	78	101	101	140	140	155
t	15	16	18	22	22	27
kg	5.1	7.4	7.0	17.0	16.5	on req.

Actuator	P05					
Type	P-HD 201					
	GD	GE	GF	GG	GH	GI
G	1/2	3/4	1	1 1/4	1 1/2	2
A	108	120	120	160	160	170
D	94	94	94	94	94	94
K	255	278	278	313	313	321
L	100	101	101	140	140	150
t	15	16	18	22	22	22
kg	8.6	12.0	11.5	on req.	on req.	on req.

- The **GVT** logo is a registered trademark.
- Note: All texts and images are the property of **GVT** and must not be replicated or modified, not even in part, without written approval.
- Original products may differ from the product images shown, due to different materials and the like.
- Subject to error and changes.