



Technical Data Sheet P-PS 301

GVT.

- 2/2-Way pressure controlled valve - valve normally closed (NC)
- valve normally open (NO)
- double acting actuator (DW)

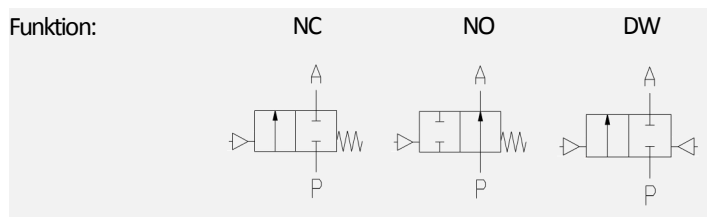
Pressure controlled valve for neutral gaseous and liquid media

- For general purposes
- No pressure difference necessary
- High life time
- Reliable and sturdy sealing elements
- Long-term availability of spare parts
- High-quality materials

TECHNICAL SPECIFICATIONS

Type of control:	Pressure operated
Design:	Piston design
Connection:	Flanges DN15 - DN300 acc. to EN 1092-1 Form B1/B2 Further connections like ASME available on request
Installation:	Preferable with actuator upright
Pressure:	0-40 bar (see table page 2)
Medium:	Clean, neutral, gaseous and liquid
Viscosity:	22 mm ² /s
Temperature range:	Medium: -10 °C up to +200 °C Ambient: -10 °C up to +60 °C
Body material	Spheroidal cast EN-GJS-400-18-LT Cast iron EN-GJL-250 Cast steel GP240 GH Stainless steel 1.4581 / 1.4408
Metallic inner parts:	Brass and stainless steel
Sealing:	NBR, FKM, EPDM, PTFE
Pilot pressure:	6-10 bar
Pilot medium:	clean and neutral gases

Supply voltage:	-
Voltage tolerance:	-
Consumption:	-
Protection class:	-
Duty factor:	-
Connection type:	-



Certificates:



Ex-proof:

optional with mech. ATEX

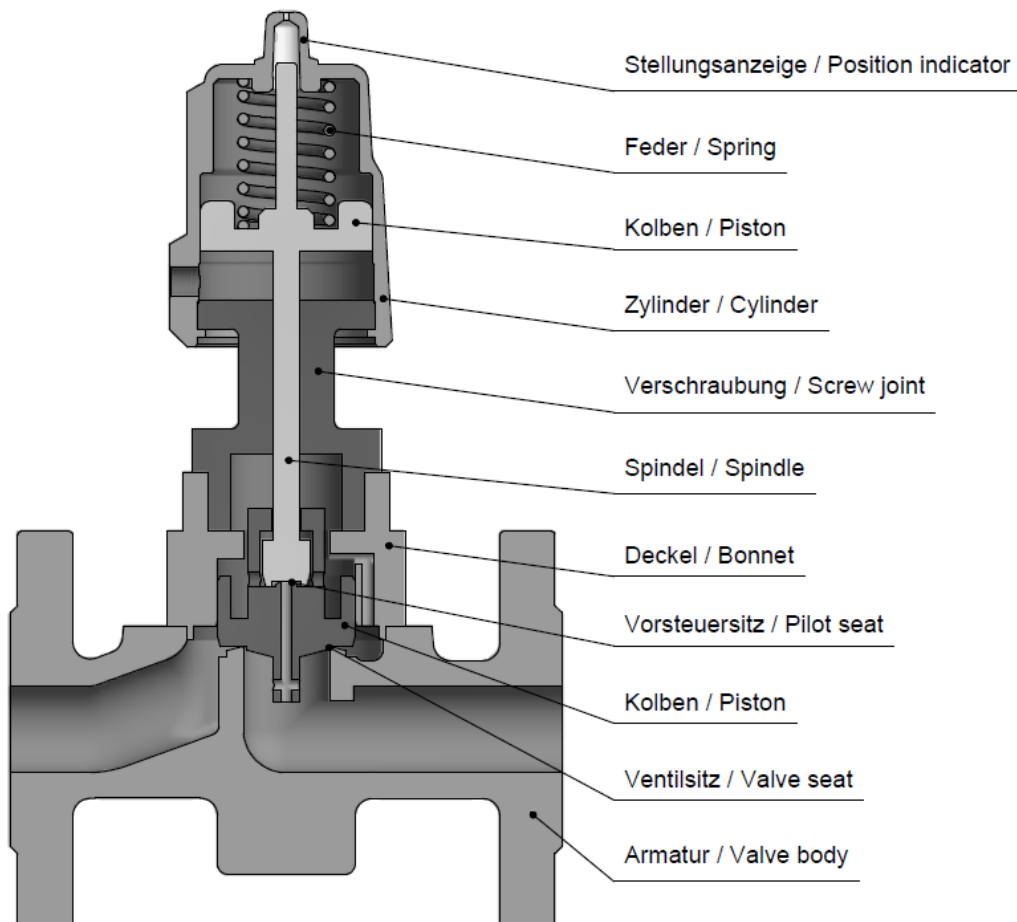
ORDERING SYSTEM

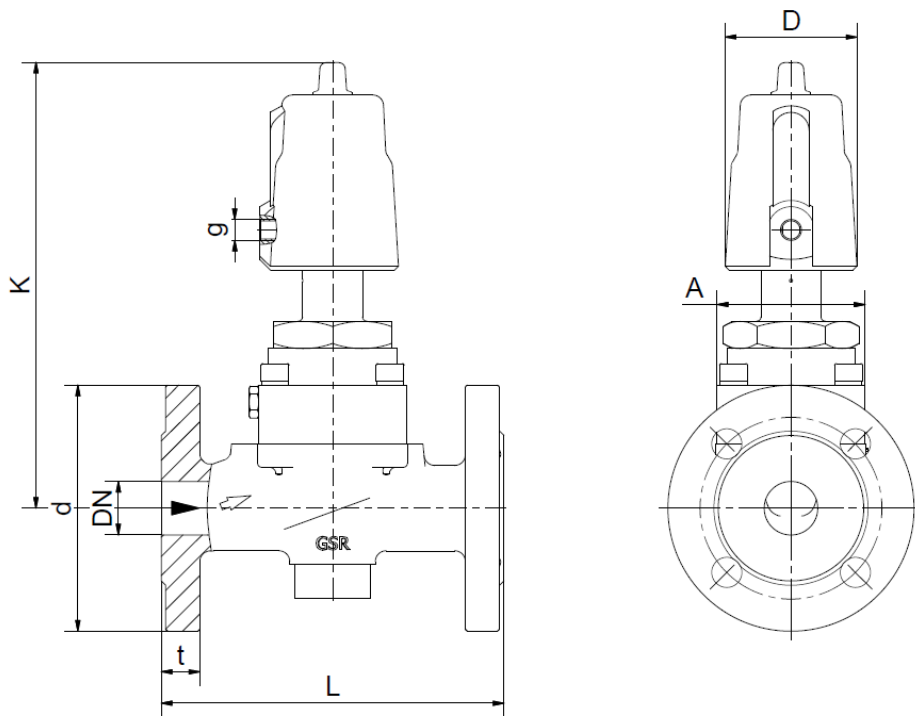
P-PS	3	01	D	R	100.0	E	D	P08
Type	Control type	Code	Connection type	Connection size	Nominal diameter mm	Body material	Sealing material	Actuator type
	3 dirforce-pilot operated		D PN16	J DN15	Q DN80	E EN-GJL-250	A NBR	05 50 mm
			X PN40	K DN20	R DN100	F GP240 GH	B FKM	08 80 mm
			A ANSI150	L DN25	S DN125	D AISI 316L	C EPDM	13 125 mm
			Y ANSI300	M DN32	T DN150	G EN-GJS-400	D PTFE	
				N DN40	U DN200			
				O DN50	V DN250			
				P DN65	W DN300			

Standard NC type	Seat \varnothing mm	Kv-value m ³ /h	max. pressure with actuator		
			P05	P08	P13
P-PS 301 XJ	15	6.8	0-40	-	-
P-PS 301 DK	20	8.8	0-40	-	-
P-PS 301 DL	25	11.5	0-40	-	-
P-PS 301 DM	32	18.0	0-16	0-40	-
P-PS 301 DN	40	26.0	0-16	0-40	-
P-PS 301 DO	50	38.0	0-16	0-40	-
P-PS 301 DP	65	62.0	0-16	0-40	-
P-PS 301 DQ	80	89.0	0-16	0-40	-
P-PS 301 DR	100	125.0	-	0-40	-
P-PS 301 DS	125	265.0	-	0-40	-
P-PS 301 DT	150	377.0	-	0-16	0-40
P-PS 301 DU	200	667.0	-	0-16	-
P-PS 301 DV	250	on req.	-	0-16	-
P-PS 301 DW	300	on req.	-	0-16	-

The flow rate mentioned applies to the most strongest actuator
Pressure range for cast iron EN-GJL-250 is max. 16 bar

Valve design





Actuator	P05								
Type	P-PS 301								
	XJ	DK	DL	DM	DN	DO	DP	DQ	DR
DN	15	20	25	32	40	50	65	80	100
A	48 (44)	70 (69)	70 (69)	98	98	112	215 (180)	245	On req.
d	95	105	115	140	150	165	185	200	220
D	62	62	62	62	62	62	62	62	62
K	220 (215)	223 (220)	225 (220)	245 (230)	250 (235)	240 (240)	285 (265)	290	On req.
L	130	150	160	180	200	230	290	310	350
g	1/8	1/8	1/8	1/8	1/8	1/8	1/8	1/8	1/8
t	16	18	18	18	18	20	22	24	24
Kg	4.5 (3.6)	6.0	6.0	10.5 (9.0)	11.0	12.5	23.5 (26.0)	31.0	On req.

The values in brackets refer to the stainless steel version (DN15 - DN100)

Actuator	P08								P13
Type	P-PS 301								P-PS 301
	DM	DN	DO	DP	DQ	DR	DS	DT	DT
DN	32	40	50	65	80	100	125	150	150
A	98	98	112	215	245	270	235	265	on req.
d	140	150	165	185	200	235	270	300	300
D	94	94	94	94	94	94	94	94	141
K	290 (280)	290 (280)	300 (275)	330 (405)	295	315	350	395	on req.
L	180	200	230	290	310	350	400	480	480
g	1/8	1/8	1/8	1/8	1/8	1/8	1/8	1/8	1/4
t	18	18	20	22	24	24	26	28	28
Kg	11.0	11.5	13.5 (12.0)	25.5 (28.0)	34.0	48.5	53.5	75.0	on req.

The values in brackets refer to the stainless steel version (DN15 - DN100)

- The **GVT** logo is a registered trademark.
- Note: All texts and images are the property of **GVT** and must not be replicated or modified, not even in part, without written approval.
- Original products may differ from the product images shown, due to different materials and the like.
- Subject to error and changes.