



Technical Data Sheet M-LT 302



2/2-way solenoid valve - valve normally closed (NC)
- valve normally open (NO)

Solenoid valve for extended temperature range

- For cold media up to **-60 °C**
- Pressure difference is required
- High life time
- Reliable and sturdy sealing elements
- Long-term availability of spare parts
- High-quality materials

TECHNICAL SPECIFICATIONS

Type of control: Force-pilot operated,
no pressure difference necessary

Design: Piston design

Connection: Flanged acc. to EN 1092-1 Form B1/B2
Other flanged connections like ASME on request

Installation: Actuator upright

Pressure: 0 - 40 bar (see table page 2)

Medium: Clean, neutral, liquid or gaseous

Viscosity: 22 mm²/s

Temperature range: Medium: -60 °C up to +80 °C
Ambient: -55 °C up to +50 °C
ATEX : -55 °C up to +40 °C / +60 °C
(depends on ATEX-coils)

Body material: Stainless steel 1.4581 (AISI 316Ti)

Metallic inner parts: Stainless steel

Sealing: PTFE

Supply voltage: AC 50/60Hz 24V, 110V, 230V
DC 0Hz 12V, 24V

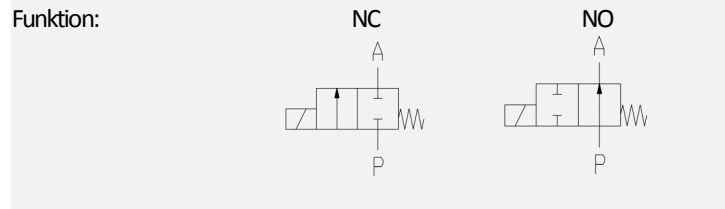
Voltage tolerance: -10% / +10%

Consumption: A05 = 24 Watt E05 = 24 Watt
A06 = 30 Watt E06 = 24 Watt
A07 = 46 Watt E07 = 30 Watt
A08 = 100 Watt E08 = 47 Watt
A09 = 150 Watt E09 = 75 Watt

Protection class: IP 65 acc. to DIN 60529

Duty factor: 100% ED - VDE 0580

Connection type: Plug / Terminal box



Certificates:   

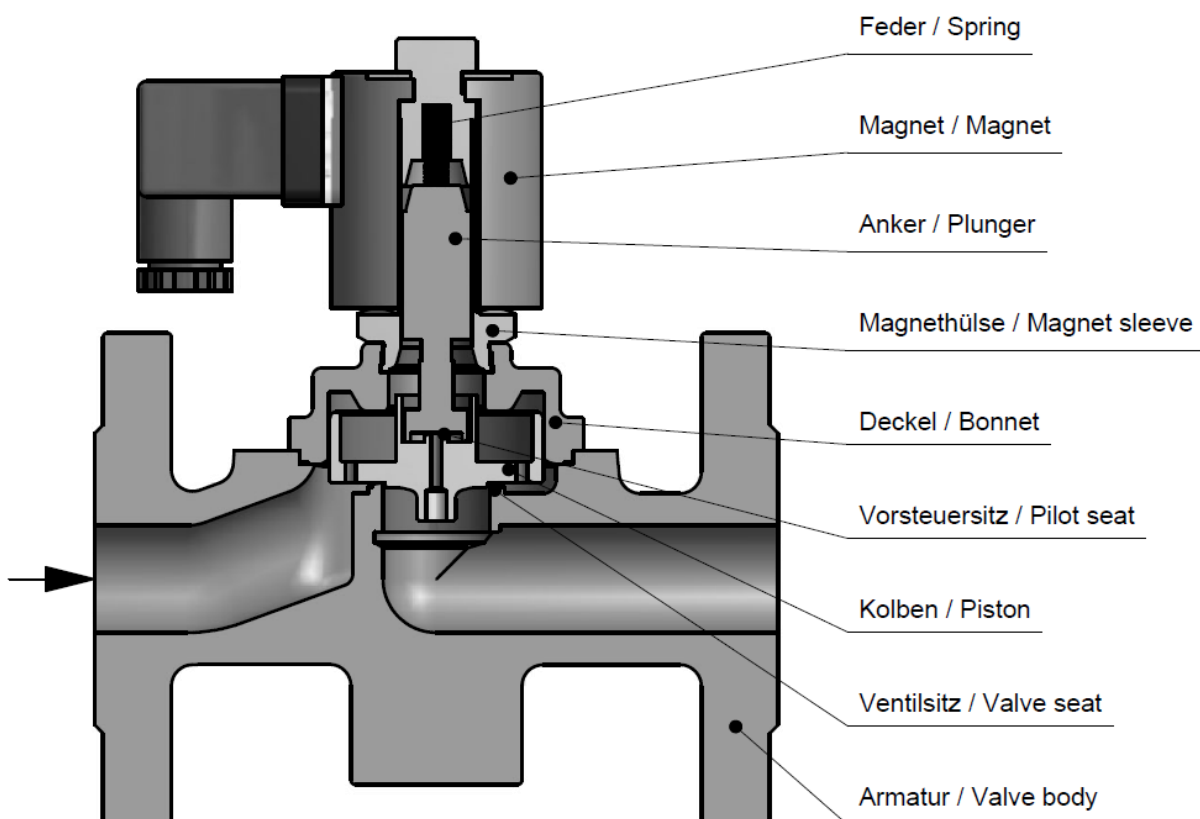
Ex-proof: acc. to directive 2014/34/EG (ATEX)

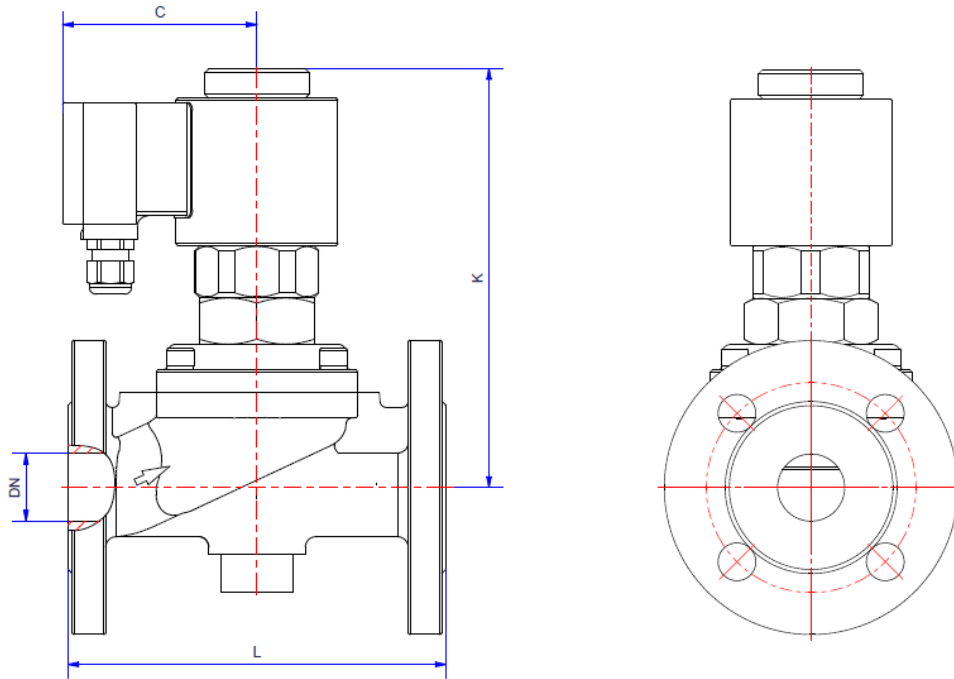
ORDERING SYSTEM

M-LT	3	02	D	L	25.0	C	D	A05
Type	Control type	Code	Connection type	Connection size	Nominal diameter mm	Body material	Sealing material	Actuator type
	3 force-pilot oper.		X PN40 Y ANSI300	J DN15 K DN20 L DN25 M DN32 N DN40 O DN50 P DN65 Q DN80 R DN100		C AISI316	D PTFE	A standard E ex.-proof

Standard NC type	Seat ϕ mm	Kv-value m^3/h	max. pressure				
			A05	A06	A07	A08	A09
M-LT 302 XJ	15.0	5.0	0-40	0-40	-	-	-
M-LT 302 XK	20.0	11.0	0-16	0-40	0-40	-	-
M-LT 302 XL	25.0	13.0	0-16	0-40	0-40	-	-
M-LT 302 XM	32.0	24.0	-	0-25	0-40	0-40	-
M-LT 302 XN	40.0	27.0	-	0-25	0-40	0-40	-
M-LT 302 XO	50.0	42.0	-	0-6	0-16	0-40	-
M-LT 302 XP	65.0	75.0	-	-	0-10	0-30	0-40
M-LT 302 XQ	80.0	97.0	-	-	0-10	0-21	0-40
M-LT 302 XR	100.0	143.0	-	-	-	0-12	0-40

Standard NC type	Seat ϕ mm	Kv-value m^3/h	max. pressure ATEX				
			E05	E06	E07	E08	E09
M-LT 302 XJ	15.0	5.0	0-30	0-40	-	-	-
M-LT 302 XK	20.0	11.0	0-12	0-25	0-40	-	-
M-LT 302 XL	25.0	13.0	0-12	0-25	0-40	-	-
M-LT 302 XM	32.0	24.0	-	0-16	0-25	0-40	-
M-LT 302 XN	40.0	27.0	-	0-16	0-25	0-40	-
M-LT 302 XO	50.0	42.0	-	0-2	0-10	0-16	0-40
M-LT 302 XP	65.0	75.0	-	-	-	0-16	0-30
M-LT 302 XQ	80.0	97.0	-	-	-	0-12	0-21
M-LT 302 XR	100.0	143.0	-	-	-	0-6	0-12





Coil Type	A05 / E05			A06 / E06					
	M-LT 302			M-LT 302					
	?J	?K	?L	?J	?K	?L	?M	?N	?O
DN	15	20	25	15	20	25	32	40	50
C	75	75	75	77	77	77	77	77	77
K	104	122	122	148	138	131	148	148	168
L	130	150	160	130	150	160	180	200	230
kg	2.9	4.4	4.4	3.6	4.7	5.3	7.9	8.4	11.0

Differing dimensions „C“ for ATEX-coils

Coil Type	A07 / E07							A08 / E08					
	M-LT 302							M-LT 302					
	?K	?L	?M	?N	?O	?P	?Q	?M	?N	?O	?P	?Q	?R
DN	20	25	32	40	50	65	80	32	40	50	65	80	100
C	93	93	93	93	93	93	93	106	106	106	106	106	106
K	194	178	188	188	186	252	252	218	230	240	284	316	294
L	150	160	180	200	230	290	310	180	200	230	290	310	350
kg	7.0	7.2	9+8	10.2	12.9	29.0	25.5	13.4	14.3	16.9	32.7	30.3	42.7

Coil Type	A09 / E09			
	M-LT 302			
	?O	?P	?Q	?R
DN	50	65	80	100
C	126	126	126	126
K	319	344	355	380
L	230	290	310	350
kg	29.9	43.0	41.0	52.0

- The GVT logo is a registered trademark.
- Note: All texts and images are the property of GVT and must not be replicated or modified, not even in part, without written approval.
- Original products may differ from the product images shown, due to different materials and the like.
- Subject to error and changes.