



2/2-way solenoid valve - valve normally closed (NC)  
- valve normally open (NO)

## Solenoid valve for neutral, gaseous and liquid media

- For general purposes
- No pressure difference necessary
- High life time
- Reliable and sturdy sealing elements
- Long-term availability of spare parts
- High-quality materials

## TECHNICAL SPECIFICATIONS

Type of control: Direct operated,  
no pressure difference necessary

Design: Piston design

Connection: Threaded G 1/4 - G 1/2 DIN ISO 228 (BSP)  
*Further connections on request*

Installation: Preferable with actuator upright

Pressure: 0 - 90 bar (see table page 2)

Medium: Clean, neutral, liquid or gaseous

Viscosity: 22 mm<sup>2</sup>/s

Temperature range: Medium: -10 °C up to +80 °C  
Ambient: -10 °C up to +50 °C

Body material: Brass 2.0401 / 2.0402  
Stainless steel 1.4305 (AISI 303)  
Stainless steel 1.4571 (AISI 316Ti)

Metallic inner parts: Brass and stainless steel

Sealing: FKM, EPDM, PTFE

Supply voltage: AC 50/60Hz 24V, 110V, 230V  
DC 0Hz 12V, 24V

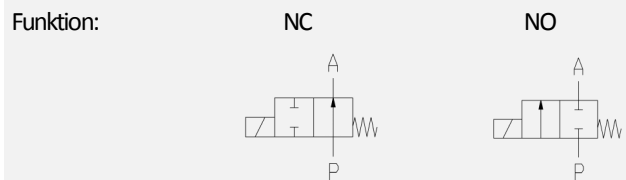
Voltage tolerance: -10% / +10%

Consumption: A01 = 6.8 Watt E01 = 5.2 Watt  
A02 = 11 Watt E02 = 10 Watt  
A03 = 18,5 Watt

Protection class: IP 65 acc. to DIN 60529

Duty factor: 100% ED - VDE 0580

Connection type: Plug



Certificates:



Ex-proof: acc. to directive 2014/34/EG (ATEX)

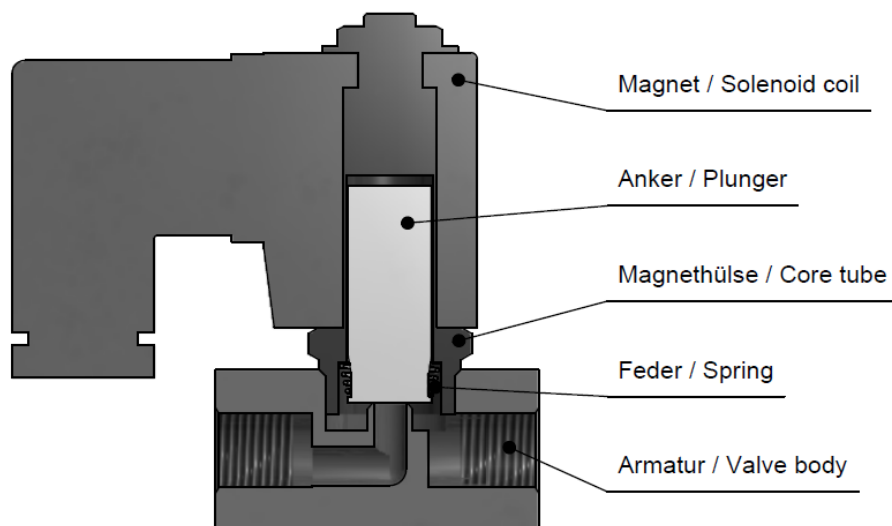
## ORDERING SYSTEM

M-PS	1	01	G	B	1.0	A	B	A03	NO
Type	Control type	Code	Connection type	Connection size	Nominal diameter mm	Body material	Sealing material	Actuator type	Option
	1 direct operated		G BSP N NPT	A 1/8 B 1/4 C 3/8 D 1/2		A Brass C AISI316	B FKM C EPDM D PTFE	A standard E ex.-proof	

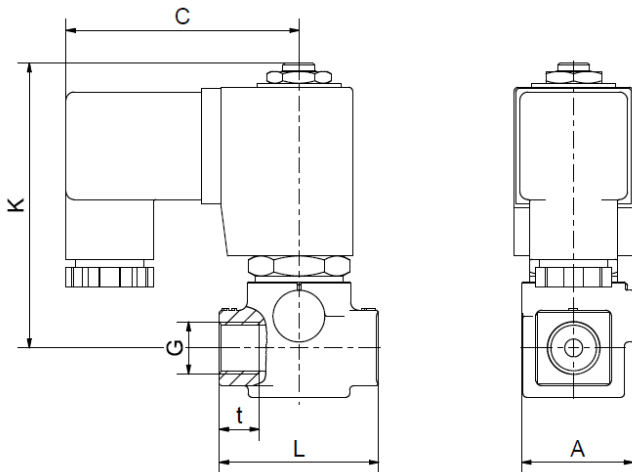
Standard type	Seat $\varnothing$ mm	Kv-value $\text{m}^3/\text{h}$	max. pressure NC			max. pressure ATEX NC	
			A01	A02	A03	E01	E02
M-PS 101 GB	1.0	0.06	0-50	0-90	0-90	0-20	0-90
M-PS 101 GB	1.5	0.09	0-30	0-85	0-90	0-16	0-90
M-PS 101 GB	2.0	0.13	0-15	0-40	0-90	0-10	0-55
M-PS 101 GB	2.5	0.16	0-8	0-22	0-45	0-6	0-28
M-PS 101 GB	3.0	0.20	-	0-15	0-30	-	0-20
M-PS 101 GB	4.0	0.35	-	0-8	0-16	-	0-10
M-PS 101 GB	5.0	0.50	-	0-5	0-10	-	0-6
M-PS 101 GB	6.0	0.75	-	0-4	0-8	-	0-5

Standard type	Seat $\varnothing$ mm	Kv-value $\text{m}^3/\text{h}$	max. pressure NO		max. pressure ATEX NO
			A02-NO	A03-NO	E02-NO
M-PS 101 GB	1.0	0.06	0-90	0-90	0-90
M-PS 101 GB	1.5	0.09	0-85	0-90	0-90
M-PS 101 GB	2.0	0.13	0-40	0-90	0-55
M-PS 101 GB	2.5	0.16	0-12	0-45	0-28
M-PS 101 GB	3.0	0.20	0-12	0-30	0-20
M-PS 101 GB	4.0	0.35	0-8	0-16	0-10
M-PS 101 GB	5.0	0.50	0-5	0-10	0-6
M-PS 101 GB	6.0	0.75	0-4	0-8	0-5

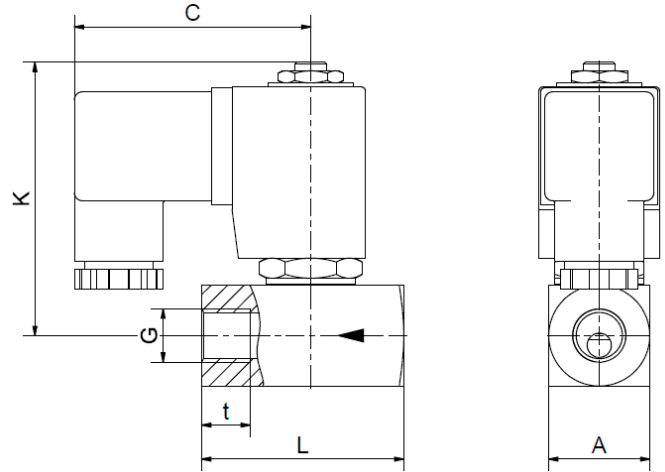
## Valve design



Type M-PS 101 GA1.0 - GB4.0 - Forged brass



Type M-PS 101 GA1.0 - GB6.0 - St. steel



Coil	A01 / E01*	A02 / E02*		A03			
Type	M-PS 101 GA1.0 - 2.5	M-PS 101 GA1.0 - 4.0 2.0402	St. steel	M-PS 101 GA5.0 - 6.0	M-PS 101 GA1.0 - 4.0 2.0402	St. steel	M-PS 101 GA5.0 - 6.0
G	1/8	1/8	1/8	1/8	1/8	1/8	1/8
A	15	28	25	25	28	25	25
C	55	59	59	59	61	61	61
K	44	72	68	68	72	68	68
L	32	40	40	40	40	50	40
t	15	10	7	7	10	7	7
kg	0.2	0.4	0.45	0.5	0.4	0.45	0.6

\* different dimension „C“ at ATEX coils

Coil	A01 / E01*	A02 / E02*		A03			
Type	M-PS 101 GB1.0 - 2.5	M-PS 101 GB1.0 - 4.0 2.0402	St. steel	M-PS 101 GB5.0 - 6.0	M-PS 101 GB1.0 - 4.0 2.0402	St. steel	M-PS 101 GB5.0 - 6.0
G	1/4	1/4	1/4	1/4	1/4	1/4	1/4
A	20	28	25	25	28	25	25
C	55	59	59	59	61	61	61
K	47	72	68	68	72	68	68
L	40	40	50	50	40	50	50
t	9	10	12	12	10	12	12
kg	0.25	0.4	0.5	0.55	0.5	0.6	0.65

\* different dimension „C“ at ATEX coils

Dimensions for Type M-PS 101 GC - GD (G3/8 and G1/2) on request

- The GVT logo is a registered trademark.
- Note: All texts and images are the property of GVT and must not be replicated or modified, not even in part, without written approval.
- Original products may differ from the product images shown, due to different materials and the like.
- Subject to error and changes.