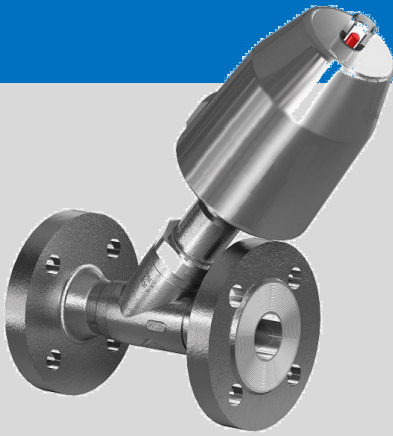


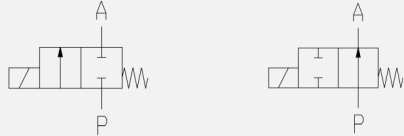

2/2-Way pressure controlled valve - valve normally closed (NC)

Pressure controlled valve for neutral, gaseous and liquid media

- Angle seat design with flanged ends
- No pressure difference is required
- High life time
- Simple compact valve design
- Reliable and sturdy sealing elements
- Long-term availability of spare parts
- High-quality materials



TECHNICAL SPECIFICATIONS

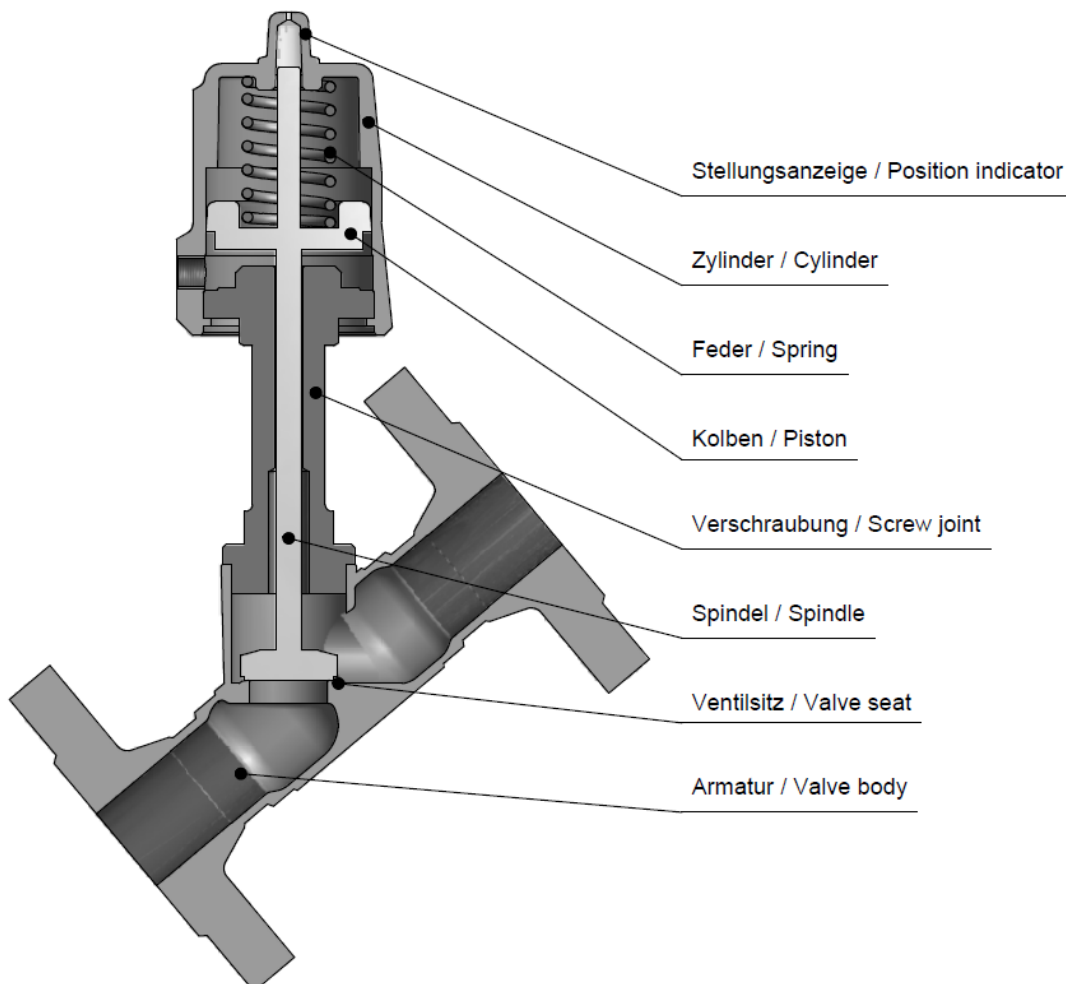
Type of control:	direct acting, pressure controlled	Pilot pressure:	6 - 10 bar
Design:	poppet design	Pilot medium:	clean and neutral gases
Connection:	flanged DN15 - DN80 acc. to EN 1092-1 form B1/B2	Supply voltage:	-
Installation:	actuator preferable upright	Voltage tolerance:	-
Pressure:	0 - 40 bar (see table page 2)	Consumption:	-
Medium:	clean, neutral, gaseous and liquid	Protection class:	-
Viscosity:	600 mm ² /s	Duty factor:	-
Temperature range:	Medium: -40 °C up to +200 °C Ambient: -40 °C up to +60 °C	Connection type:	-
Body material	Stainless steel 1.4408 (AISI 316 L)	Funktion:	NC NO
Metallic inner parts:	Stainless steel		
Sealing:	PTFE	Certificates:	

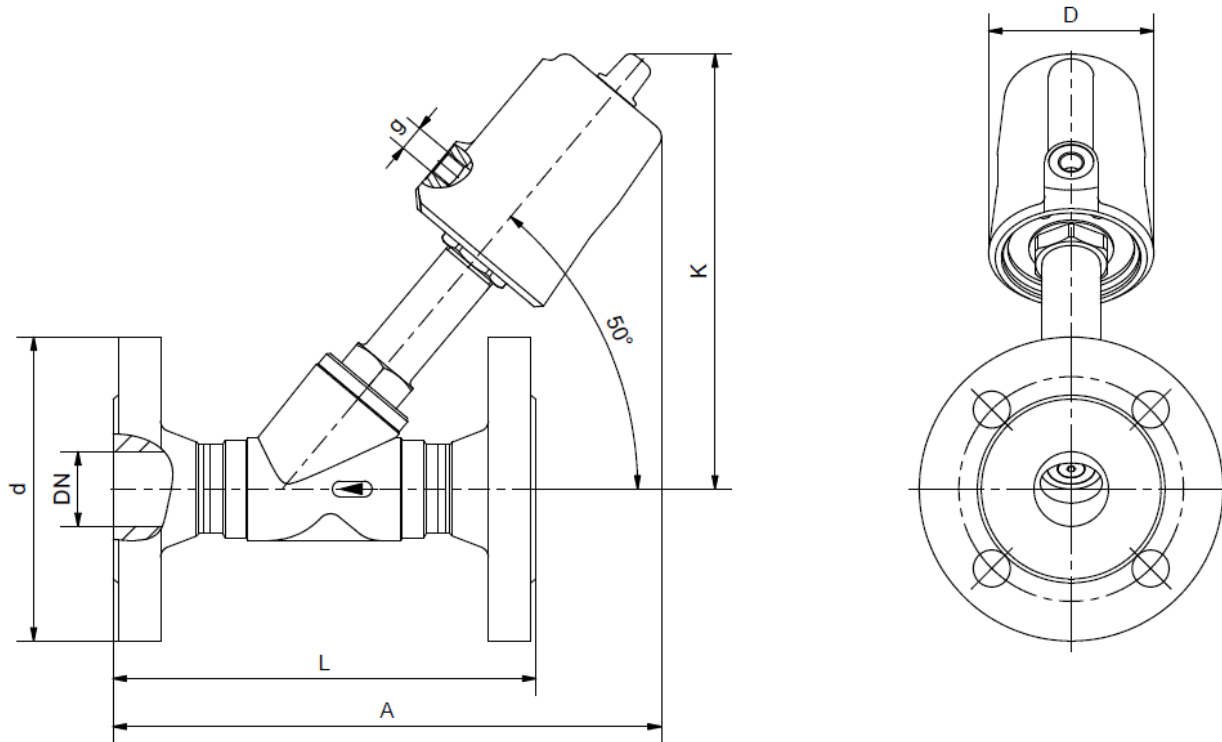
Ex-proof: optional with mech. ATEX

ORDERING SYSTEM

P-PS	1	01	X	J	13.0	D	D	P05	NO
Type	Control type	Code	Connection type	Connection size	Nominal diameter mm	Body material	Sealing material	Actuator type	Option
	1 direct acting		X PN40 Y ANSI 300 S Special	J DN15 K DN20 L DN25 M DN32 N DN40 O DN50 P DN65 Q DN80		D AISI316L	D PTFE		

Standard NC type	Seat \varnothing mm	Kv-value m^3/h	max. pressure [bar]		
			P05	P08	P13
P-PS 101 XJ	13.0	4.6	0-40	-	-
P-PS 101 XK	18.0	6.4	0-20	-	-
P-PS 101 XL	24.0	8.4	0-16	0-25	-
P-PS 101 XM	31.5	21.5	0-9	0-25	-
P-PS 101 XN	35.0	27.0	0-7	0-20	0-40
P-PS 101 XO	45.0	45.0	0-4	0-12	0-20
P-PS 101 XO	63.0	82.0	-	0-6	0-10
P-PS 101 XO	75.0	125.0	-	0-4	0-10





Actuator Type	P05						P08		
	P-HD 101 XJ	P-HD 101 XK	P-HD 101 XL	P-HD 101 XM	P-HD 101 XN	P-HD 101 XO	P-HD 101 XL	P-HD 101 XM	P-HD 101 XN
DN	15	20	25	32	40	50	25	32	40
A	186	196	207	225	240	265	243	255	169
d	95	105	115	140	150	165	115	140	150
D	62	62	62	62	62	62	94	94	94
K	152	156	166	181	185	200	205	213	220
L	130	150	160	180	200	230	160	180	200
g	1/8	1/8	1/8	1/8	1/8	1/8	1/8	1/8	1/8
kg	2,9	3,6	4,1	5,9	6,6	8,8	4,8	6,2	6,8

Actuator Type	P08			P13			
	P-HD 101 XO	P-HD 101 XP	P-HD 101 XQ	P-HD 101 XN	P-HD 101 XO	P-HD 101 XP	P-HD 101 XQ
DN	50	65	80	40	50	65	80
A	235	on req.	on req.	335	356	on req.	on req.
d	165	185	200	150	165	185	200
D	94	94	94	140	140	140	140
K	290	on req.	on req.	295	305	on req.	on req.
L	230	290	310	200	230	290	310
g	1/8	1/8	1/8	1/4	1/4	1/4	1/4
kg	8,9	on req.	on req.	9,0	11,0	on req.	on req.

- The **GVT** logo is a registered trademark.
- Note: All texts and images are the property of **GVT** and must not be replicated or modified, not even in part, without written approval.
- Original products may differ from the product images shown, due to different materials and the like.
- Subject to error and changes.