



Technical Data Sheet M-HD 201

GVT.

2/2-way solenoid valve - valve normally closed (NC)

Solenoid valve for clean and neutral gases

- For high pressure applications up to 350 bar
- Pressure difference is required
- High life time
- Simple compact valve design
- Reliable and sturdy sealing elements
- Long-term availability of spare parts
- High-quality materials
- For liquids on request

TECHNICAL SPECIFICATIONS

Type of control: Pilot operated,
pressure difference required

Supply voltage: AC 50/60Hz 24V, 110V, 230V
DC 0Hz 12V, 24V

Design: piston design

Voltage tolerance: -10% / +10%

Connection: threaded G 1/4 - G 1/2 DIN ISO 228 (BSP)
Further connections on request

Consumption: A02 = 11 Watt E02 / E03 = 10 Watt

Protection class: IP 65 acc. to DIN 60529

Installation: Actuator preferable upright

Duty factor: 100% ED - VDE 0580

Pressure: 5 - 350 bar

Connection type: Plug / Terminal box

Medium: clean, neutral, gaseous

Funktion: NC - non energized closed

Viscosity: 22 mm²/s



Temperature range: Medium: -40 °C up to +80 °C
Ambient: -40°C up to +50 °C

Body material: Stainless steel 1.4301 (AISI 304)

Certificates:



Metallic inner parts: Stainless steel

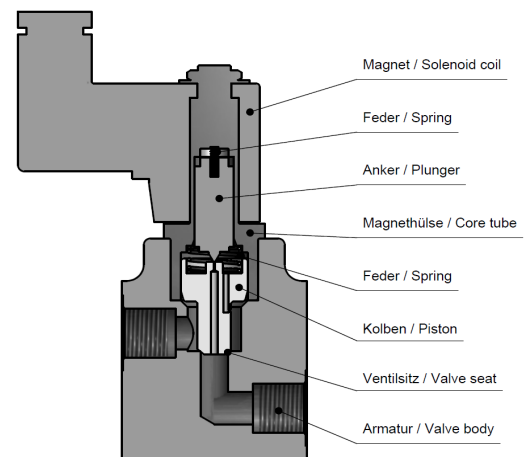
Sealing: PEEK

Ex-proof: acc. to 2014/34/EG (ATEX)

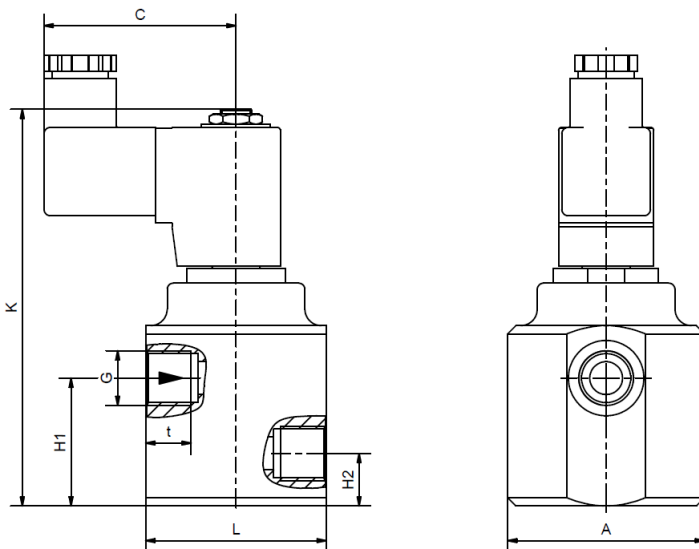
ORDERING SYSTEM

M-HD	2	01	G	C	8.0	B	D	A02	
Type	Control type	Code	Connection type	Connection size	Nominal diameter mm	Body material	Sealing material	Actuator type	Option
	2 pilot operat.		G BSP N NPT	B 1/4 C 3/8 D 1/2		B AISI304	E PEEK		

Standard NC type	Seat \varnothing mm	Kv-value m ³ /h	max. pressure	
			A02	E02 (ATEX)
M-HD 201 GB	8.0	1.2	5 - 350	5 - 350
M-HD 201 GC	8.0	1.2	5 - 350	5 - 350
M-HD 201 GD	8.0	1.2	5 - 350	5 - 350
M-HD 201 GD	15.0	2.5	5 - 350	5 - 350



Dimensions



Coil	A02 / E02 / E03			
Type	M-HD 201 GB	M-HD 201 GC	M-HD 201 GD8.0	M-HD 201 GD15.0
G	1/4	3/8	1/2	1/2
A	60	60	72	72
C	59	59	59	59
H1	39	39	39	39
H2	16	16	16	16
K	121	121	121	121
L	55	54	65	65
t	13,5	13,5	15	15
Kg	1,5	1,5	2	2,1

- The GVT logo is a registered trademark.
- Note: All texts and images are the property of GVT and must not be replicated or modified, not even in part, without written approval.
- Original products may differ from the product images shown, due to different materials and the like.
- Subject to error and changes.